

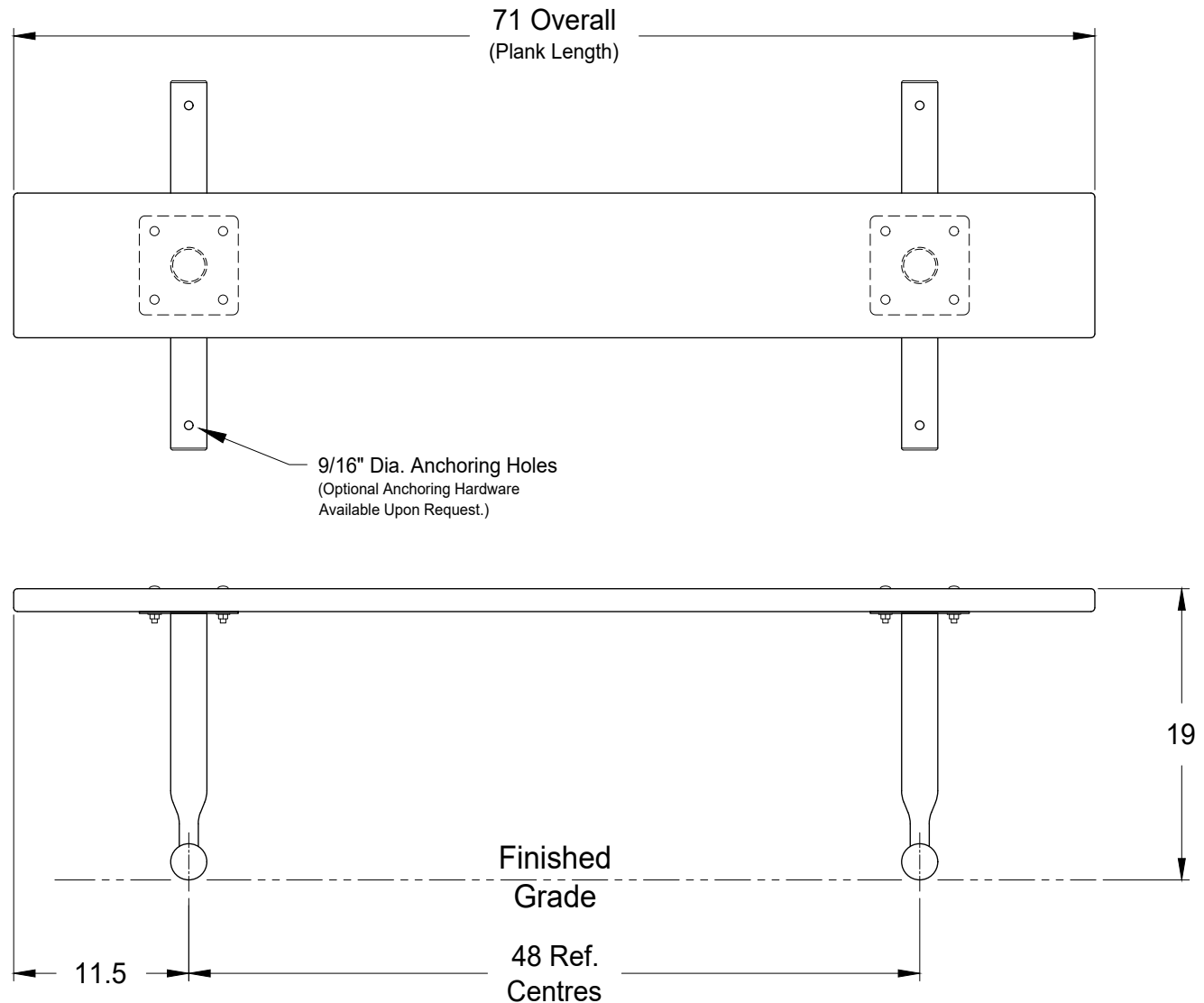
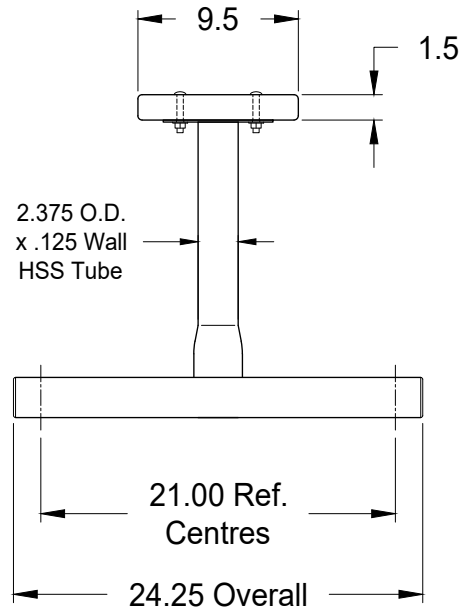
6' Players Bench

Surface Mount / Portable
With Wood Plank

- Specifications -

Rev.: 25Nov22

Model: 771-6-PP
(650320)



Frame/Leg Finishes:

- 1) Polyester Powder Paint over Zinc Rich Primer.
- 2) Hot Dip Galvanized.

Notes:

Dimensions shown are in inches.

Knill Fabrication Ltd. maintains a policy of continuous product improvement.

As a result, some details may change without notice.

knill
Fabrication Ltd.
519-442-2424

Materials:

- 2.375" O.D. x .125" Wall HSS Tube (Leg Tubes)
- 11 Ga. Steel (Bolting Plates)
- Pressure Treated 2x10 Pine (Seat Planks)
- Stainless Steel Hardware (3/8-16 Carriage Bolts)