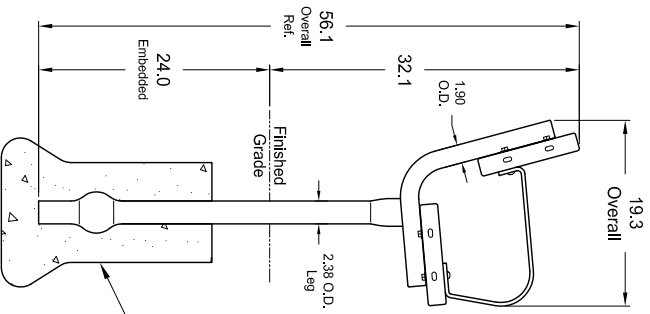


Park Benches with Backs, 6' & 4, "Buddy Bench" or Standard Bench
 In-Ground or Portable/Surface Mount with Perforated Steel Planks and Armrests

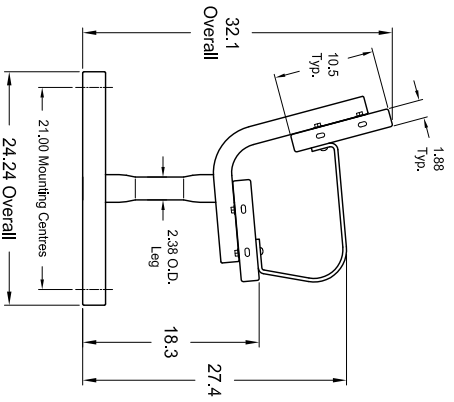
- Specifications -

Rev.: 28Mar'16

In-Ground
 Leg Style



Portable/Surface Mount
 Leg Style



Concrete Footing
 by Others:
 Depth & diameter
 to suit local
 frost conditions.

1" Dia. Hole
 Perforation Pattern

"Buddy Bench" Models: (Seat Plank has Standard 1" Round Hole Perforation Pattern.)

6' Surface Mount Model:
 650636-A

6' In-Ground Model:
 650646-A

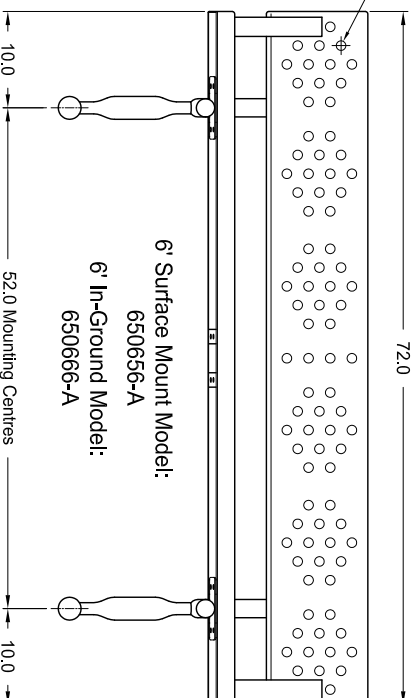
9/16" Dia. Anchor Holes, 2 per Leg Frame
 (Anchoring Hardware Not Included)



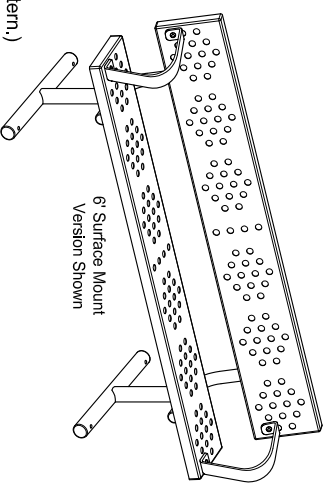
Standard 1" Round Hole Perforation Pattern Models:

6' Surface Mount Model:
 650656-A

6' In-Ground Model:
 650666-A



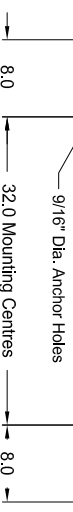
48.0



6' Surface Mount
 Version Shown

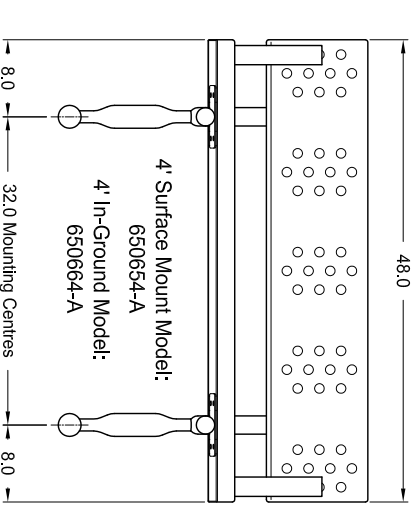
4' Surface Mount Model:
 650634-A

4' In-Ground Model:
 650644-A

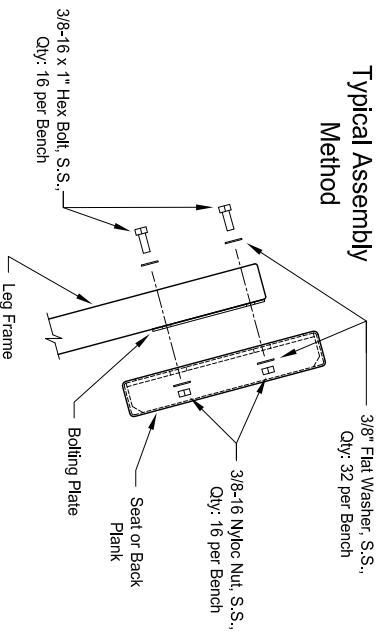


4' Surface Mount Model:
 650654-A

4' In-Ground Model:
 650664-A



Typical Assembly Method



Materials:

- 2.375" O.D. x .125" Wall HSS Tube (Leg Tubes)
- 1.9" O.D. x .125" Wall HSS Tube (Seat Tubes)
- 11 Ga. Steel (Bolting Plates)
- 13 Ga. Perforated Steel (Seat & Backrest Planks)
- 7 Ga. Steel (Seat Brackets/Ribs)
- 3/8" x 2" Steel Bar (Armrests)
- Stainless Steel Hardware
- Anchoring Hardware Not Included

Seat Plank Finish:

Leg Frame Finishes:

- 1) Polyester Powder Paint over Zinc Rich Primer.
- 2) Hot Dip Galvanized

Notes:

Dimensions shown are in inches.
 Knill Fabrication Ltd. maintains a policy of continuous product improvement.
 As a result, some details may change without notice.