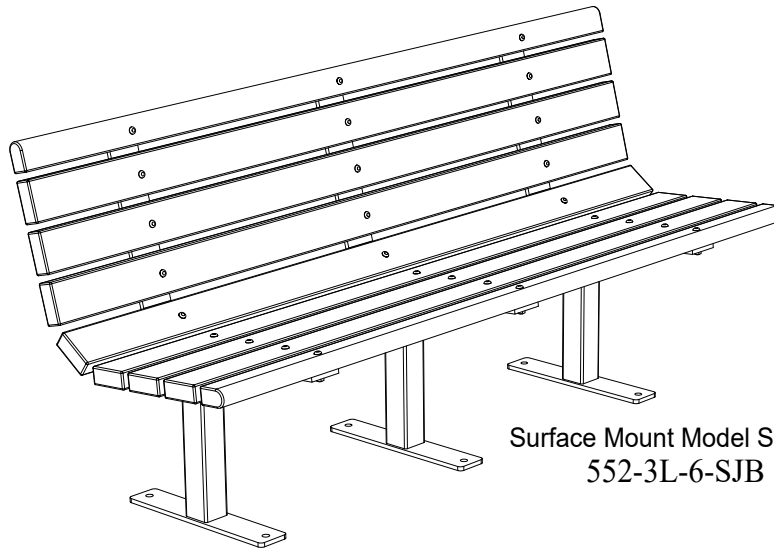


**knill**  
**Fabrication Ltd.**  
**519-442-2424**



Surface Mount Model Shown:  
 552-3L-6-SJB

# Jelly Bean - 6' Bench

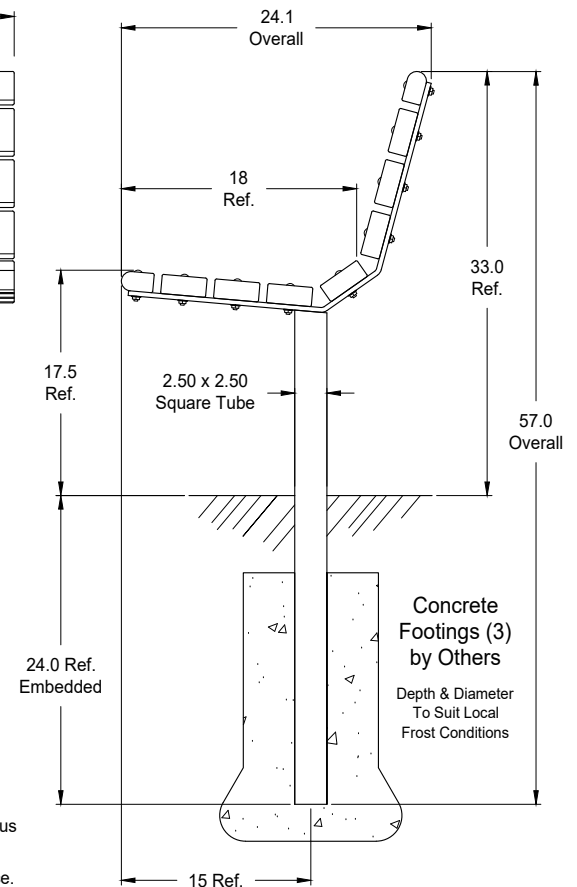
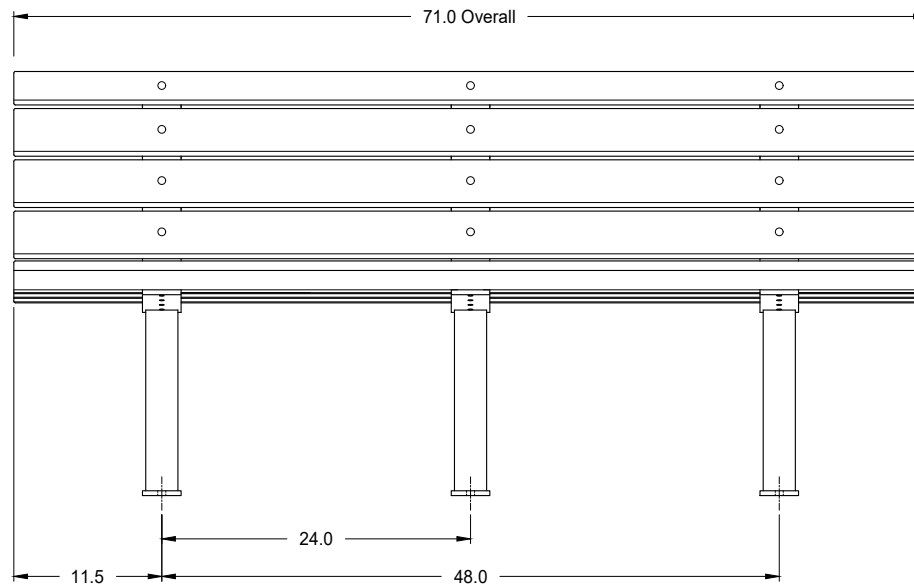
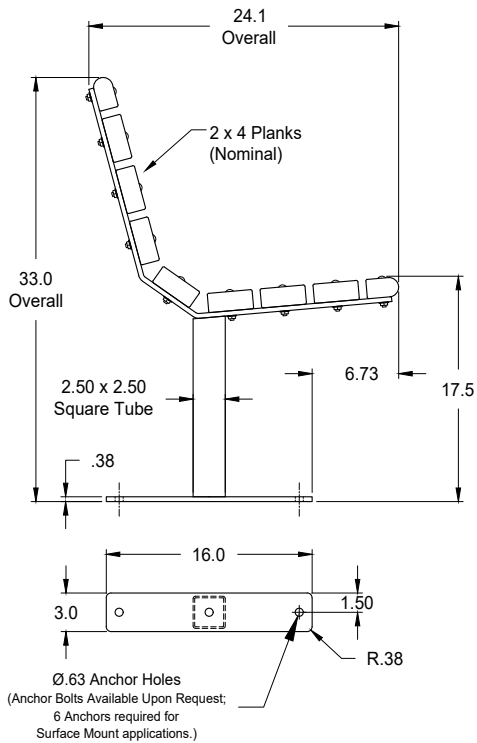
Featuring Multi-Coloured Recycled  
 Plastic 2x4 Planks and 3 Legs,  
 Surface Mount and Embedded Versions

## - Specifications -

Rev.: 17Feb22

Model:  
 552-3L-6-SJB  
 (Surface Mount)

Model:  
 552-3L-6-GJB  
 (In-Ground / Embedded)



**Materials:**

2 x 4 Nom. Planks (Multi-Colour Recycled Plastic)  
 3/8" x 3" Steel Plate Profiles and Base Plates  
 2.5" x 2.5" x .125" Wall Steel Tube Legs  
 Stainless Steel Carriage Bolts, 5/16-18 Thread

**Finish:**

Polyester Powder over Zinc Rich Primer.

Dimensions shown are in inches.

Knill Fabrication Ltd. maintains a policy of continuous product improvement.

As a result, some details may change without notice.

**Recycled Plastic Plank "Jelly Bean"**  
**Colour Scheme (Top to Bottom):**  
 Yellow, Orange, Aruba Blue, Red, Purple,  
 Red, Aruba Blue, Kiwi Green, Yellow