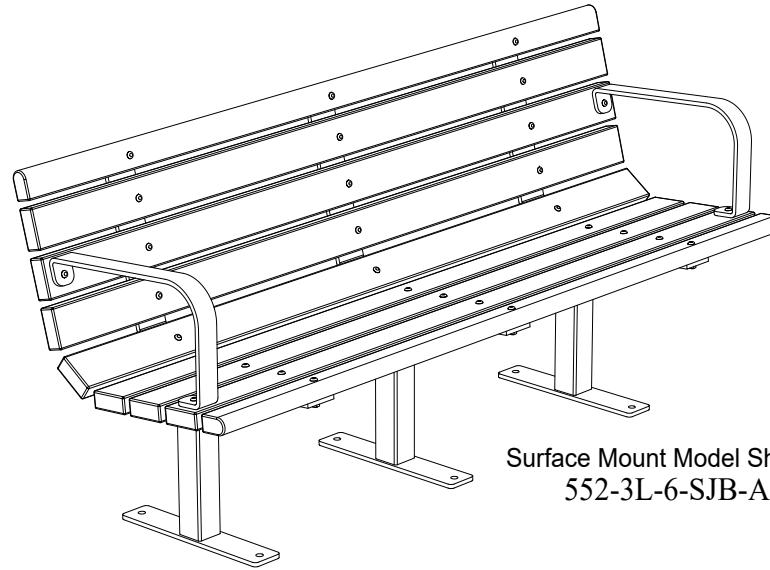


knill
Fabrication Ltd.
519-442-2424

Model:
552-3L-6-SJB-A
 (Surface Mount)



Surface Mount Model Shown:
 552-3L-6-SJB-A

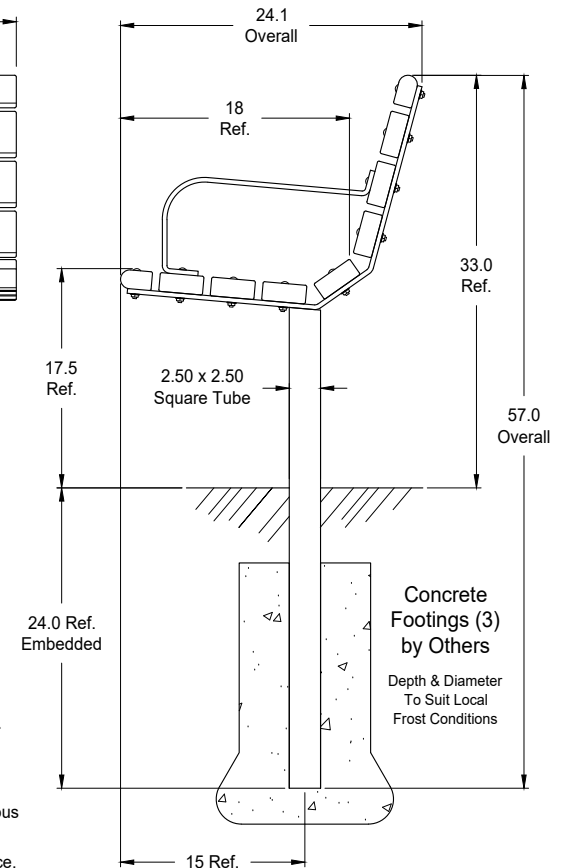
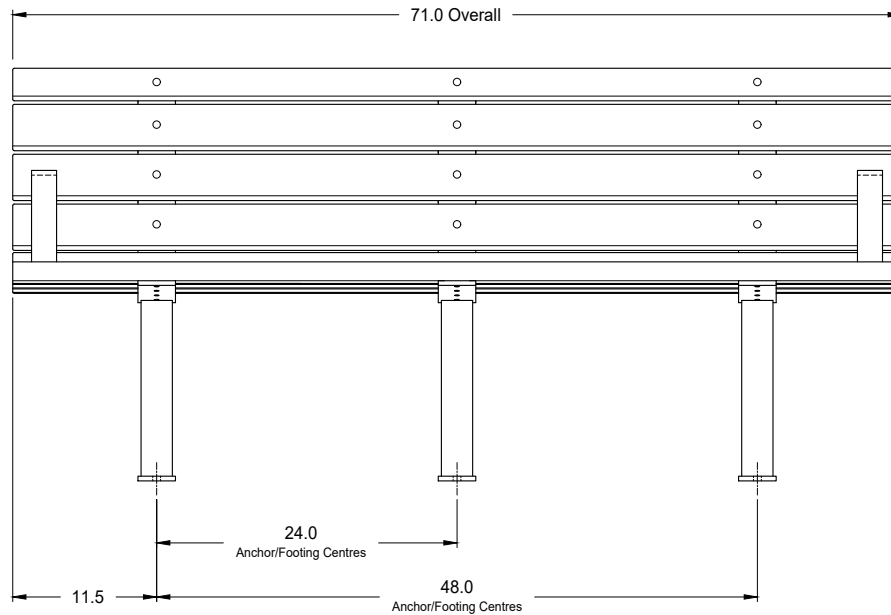
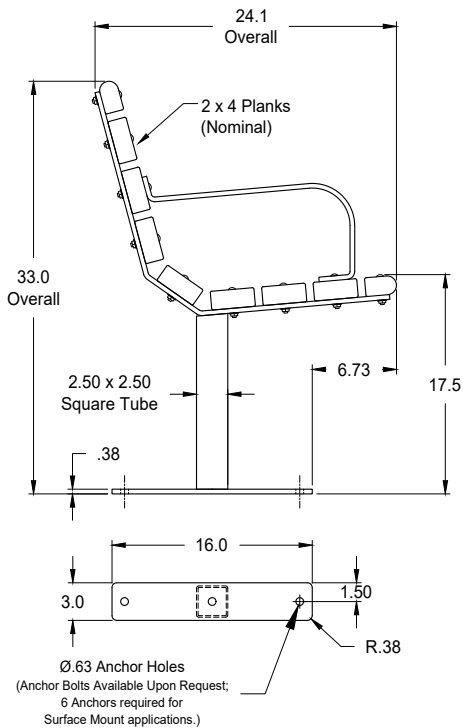
Jelly Bean Bench, 6'

Featuring Multi-Coloured Recycled Plastic 2x4 Planks with 2 Armrests and 3 Legs, Surface Mount and Embedded Versions

- Specifications -

Rev.: 10Nov22

Model:
552-3L-6-GJB-A
 (In-Ground / Embedded)



Materials:
 2 x 4 Nom. Planks (Multi-Coloured Recycled Plastic)
 3/8" x 3" Steel Plate Profiles and Base Plates
 3/8" x 2" Steel Armrests
 2.5" x 2.5" x .125" Wall Steel Tube Legs
 Stainless Steel Carriage Bolts, 5/16-18 Thread

Steel Frame Finish:
 Polyester Powder over Zinc Rich Primer.

Dimensions shown are in inches.

Knill Fabrication Ltd. maintains a policy of continuous product improvement. As a result, some details may change without notice.

Recycled Plastic Plank "Jelly Bean"
Colour Scheme (Top to Bottom):
 Yellow, Orange, Aruba Blue, Red, Purple,
 Red, Aruba Blue, Kiwi Green, Yellow