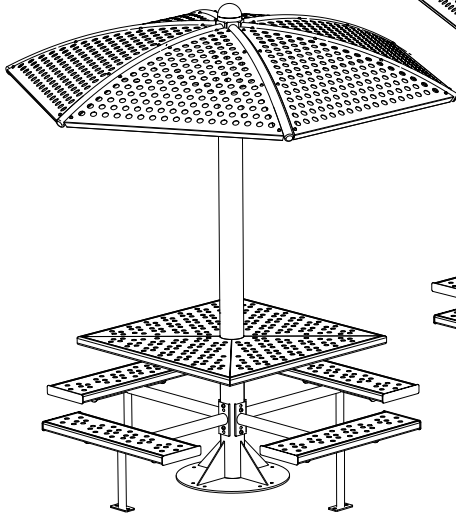
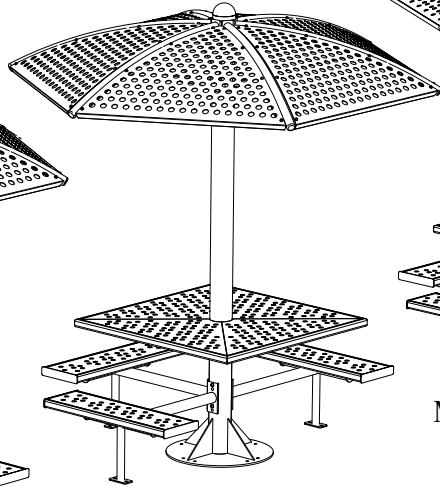


knill

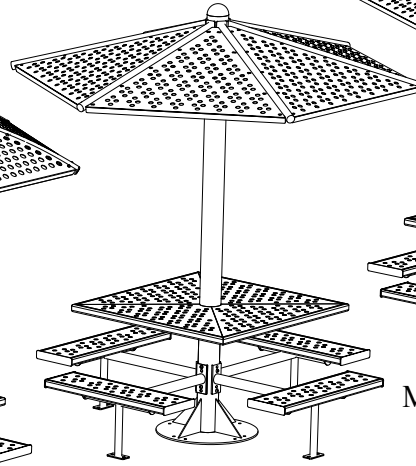
Fabrication Ltd.
519-442-2424



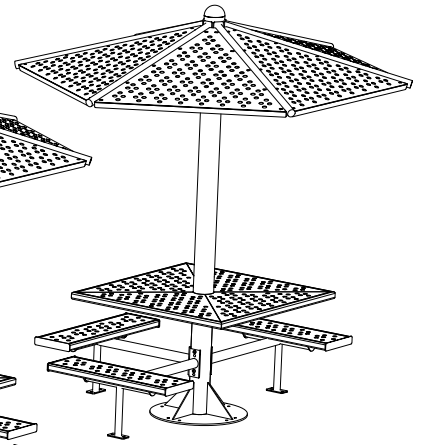
Model: ST-CC-4S-SM
Curved Canopy
4-Seat
Surface Mount



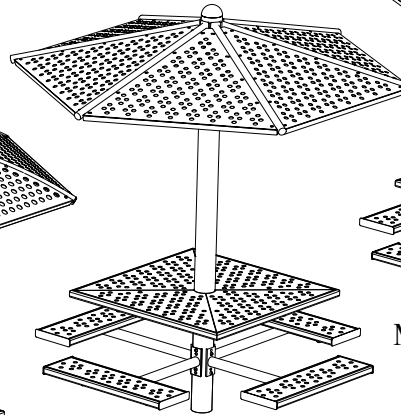
Model: ST-CC-3S-SM
Curved Canopy
3-Seat (Accessible)
Surface Mount



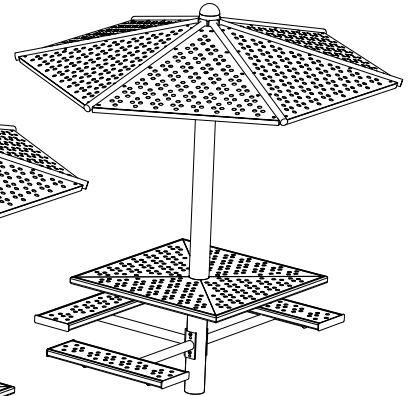
Model: ST-4S-PC-SM
Flat Panel Canopy
4-Seat
Surface Mount



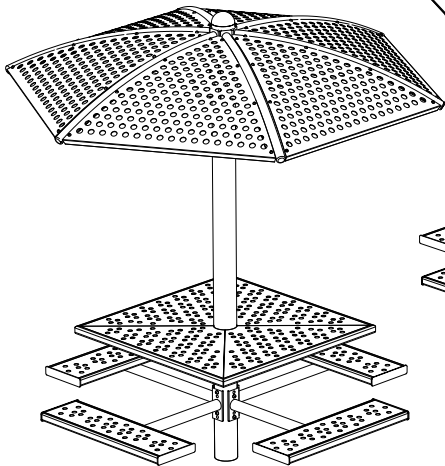
Model: ST-3S-PC-SM
Flat Panel Canopy
3-Seat (Accessible)
Surface Mount



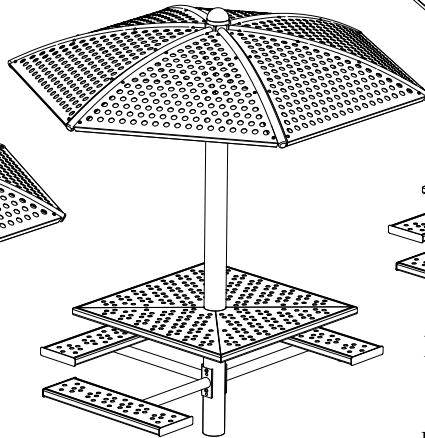
Model: ST-4S-PC-IG
Flat Panel Canopy
4-Seat
In-Ground (Embedded) Mount



Model: ST-3S-PC-IG
Flat Panel Canopy
3-Seat (Accessible)
In-Ground (Embedded) Mount



Model: ST-CC-4S-IG
Curved Canopy
4-Seat
In-Ground (Embedded) Mount



Model: ST-CC-3S-IG
Curved Canopy
3-Seat (Accessible)
In-Ground (Embedded) Mount

Single Post Shade Table Models - General Specifications -

(See Individual Model Documentation for Specific Details)

Rev.: 11May21

Materials:

5" O.D. x .258" Wall Steel Post
2.38" O.D. x .188" Wall Steel Tube
1.90" O.D. x .125" Wall Steel Tube
1.32" O.D. x .100" Wall Steel Tube
14 Ga. Sheet Metal (Perforated Panels/Seats/Top)
11 Ga. & 7 Ga. Steel Ribs/Brackets
1/4" Steel Plate
3/8" Steel Plate

Dimensions shown are in inches.

Finish:

Polyester Powder Top Coat over Zinc Rich Primed Substrate.

Assembly Hardware: Stainless Steel

Knill Fabrication Ltd. maintains a policy of continuous product improvement. As a result, some details may change without notice.

