

Materials:

- 5" O.D. x .258" Wall Steel Tube (Centre Post)
- 2.38" O.D. x .188" Wall Steel Tube
- 1.90" O.D. x .125" Wall Steel Tube
- 1.32" O.D. x .100" Wall Steel Tube
- 14 Ga. Sheet Metal (Perforated Panels/Seats/Top)
- 11 Ga. & 7 Ga. Steel (Ribs/Brackets)
- 1/4" Steel Plate
- 3/8" Steel Plate

Dimensions shown are in inches.

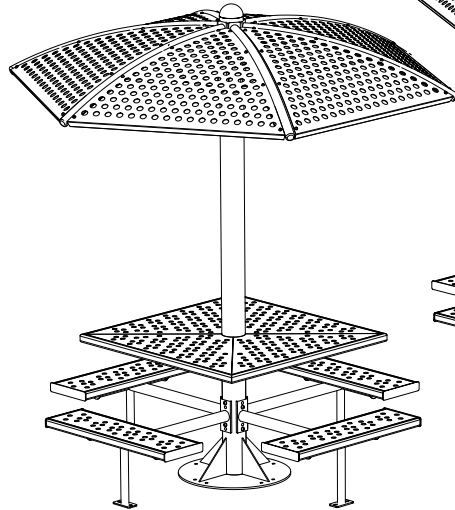
Finish:

Polyester Powder Top Coat over Zinc Rich Primed Substrate.

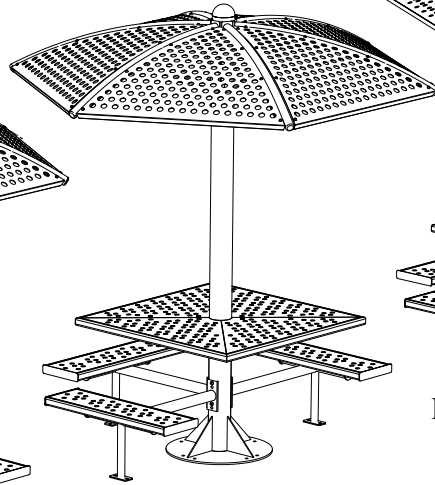
Assembly Hardware: Stainless Steel

Anchoring Hardware: Available Upon Request

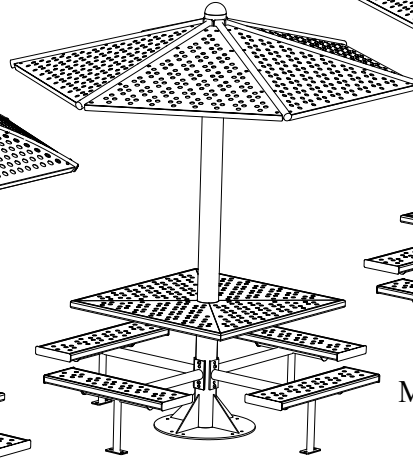
Knill Fabrication Ltd. maintains a policy of continuous product improvement. As a result, some details may change without notice.



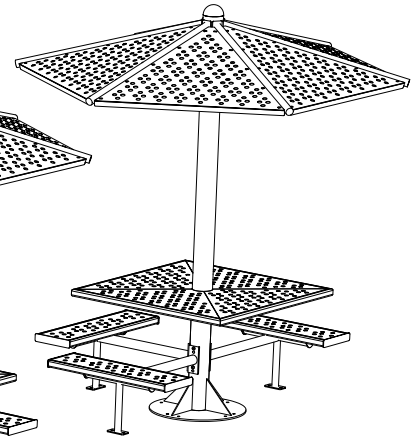
Model: ST-CC-4S-SM
Curved Canopy
4-Seat
Surface Mount



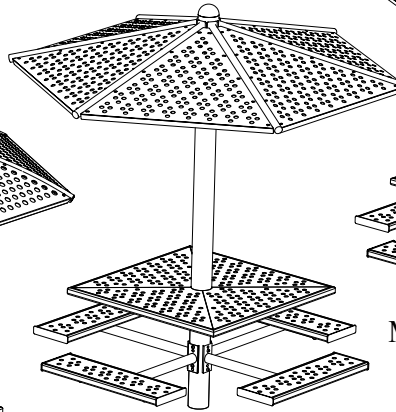
Model: ST-CC-3S-SM
Curved Canopy
3-Seat (Accessible)
Surface Mount



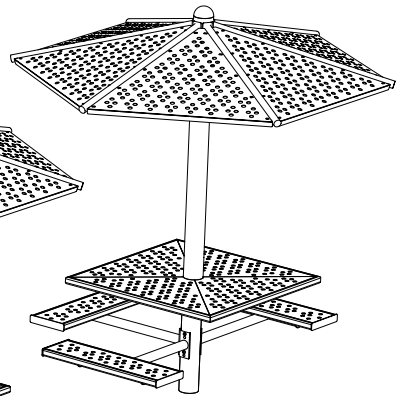
Model: ST-4S-PC-SM
Flat Panel Canopy
4-Seat
Surface Mount



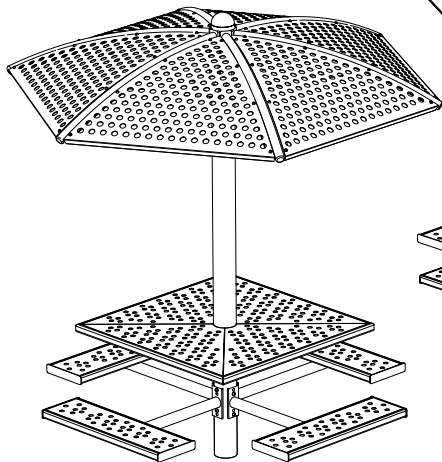
Model: ST-3S-PC-SM
Flat Panel Canopy
3-Seat (Accessible)
Surface Mount



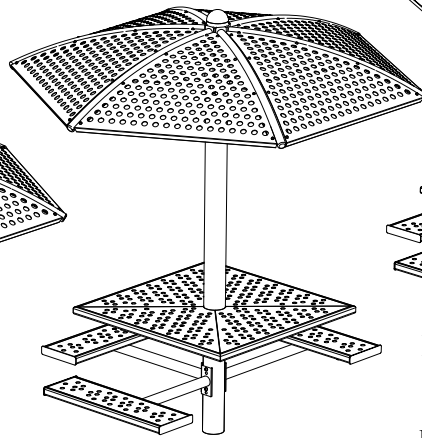
Model: ST-4S-PC-IG
Flat Panel Canopy
4-Seat
In-Ground (Embedded) Mount



Model: ST-3S-PC-IG
Flat Panel Canopy
3-Seat (Accessible)
In-Ground (Embedded) Mount



Model: ST-CC-4S-IG
Curved Canopy
4-Seat
In-Ground (Embedded) Mount



Model: ST-CC-3S-IG
Curved Canopy
3-Seat (Accessible)
In-Ground (Embedded) Mount

knill
Fabrication Ltd.
519-442-2424

**Single Post
Shade Table Models
- General Specifications -**

(See Individual Model Documentation for Specific Details)

Rev.: 14Mar24

**Recommendations
for Minimum Concrete
Pad Sizes**

