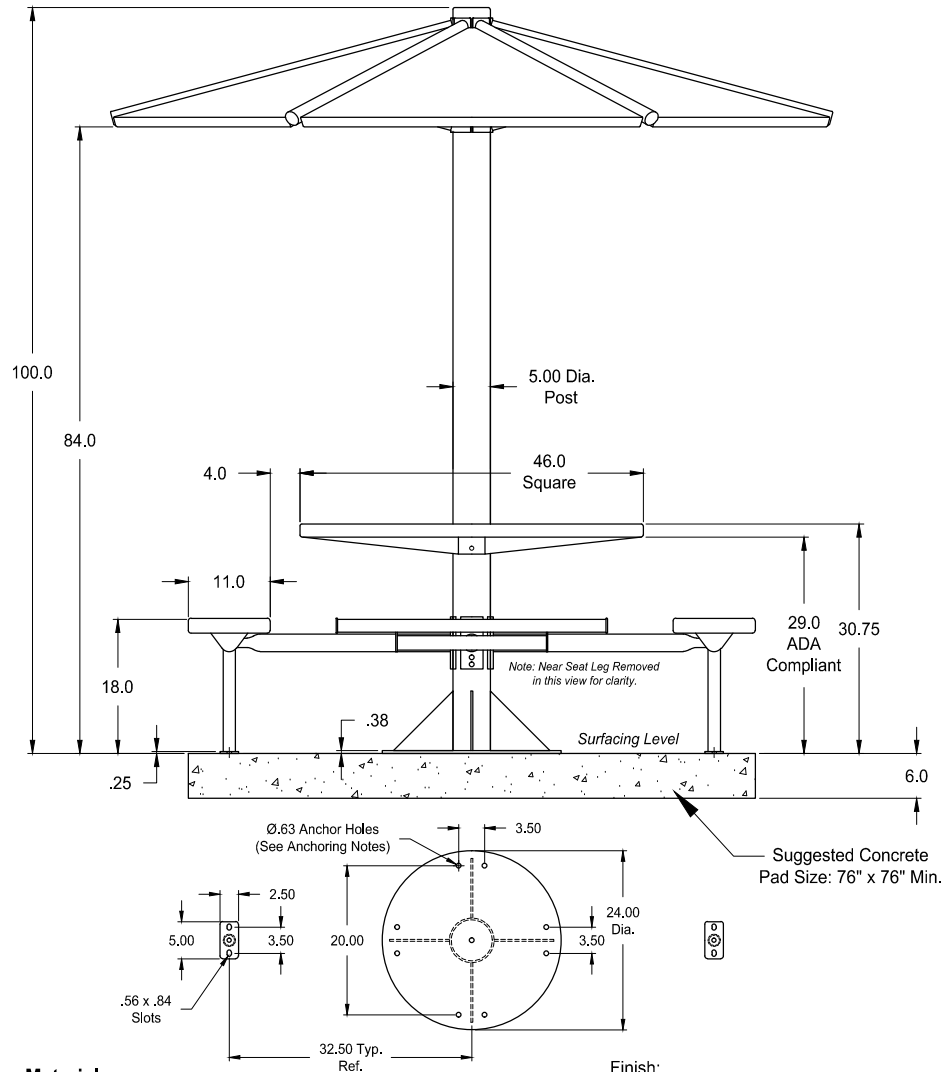


Single Post Shade Table, Accessible, Surface Mount

General Specifications

Rev. 11Sep18

Model: **ST-3S-PC-SM** (Powder Coated Roof Panels, Seats & Table Top)
 (Also Available as Standard Version with 4 Seats: ST-4S-PC-SM)



Materials:

- 5" O.D. x .258" Wall Steel Post
- 2.38" O.D. x .188" Wall Steel Tube
- 1.90" O.D. x .125" Wall Steel Tube
- 1.32" O.D. x .100" Wall Steel Tube
- 14 Ga. Sheet Metal (Perforated Panels/Seats/Top)
- 11 Ga. & 7 Ga. Steel Ribs/Brackets
- 1/4" Steel Plate
- 3/8" Steel Plate

Dimensions shown are in inches.

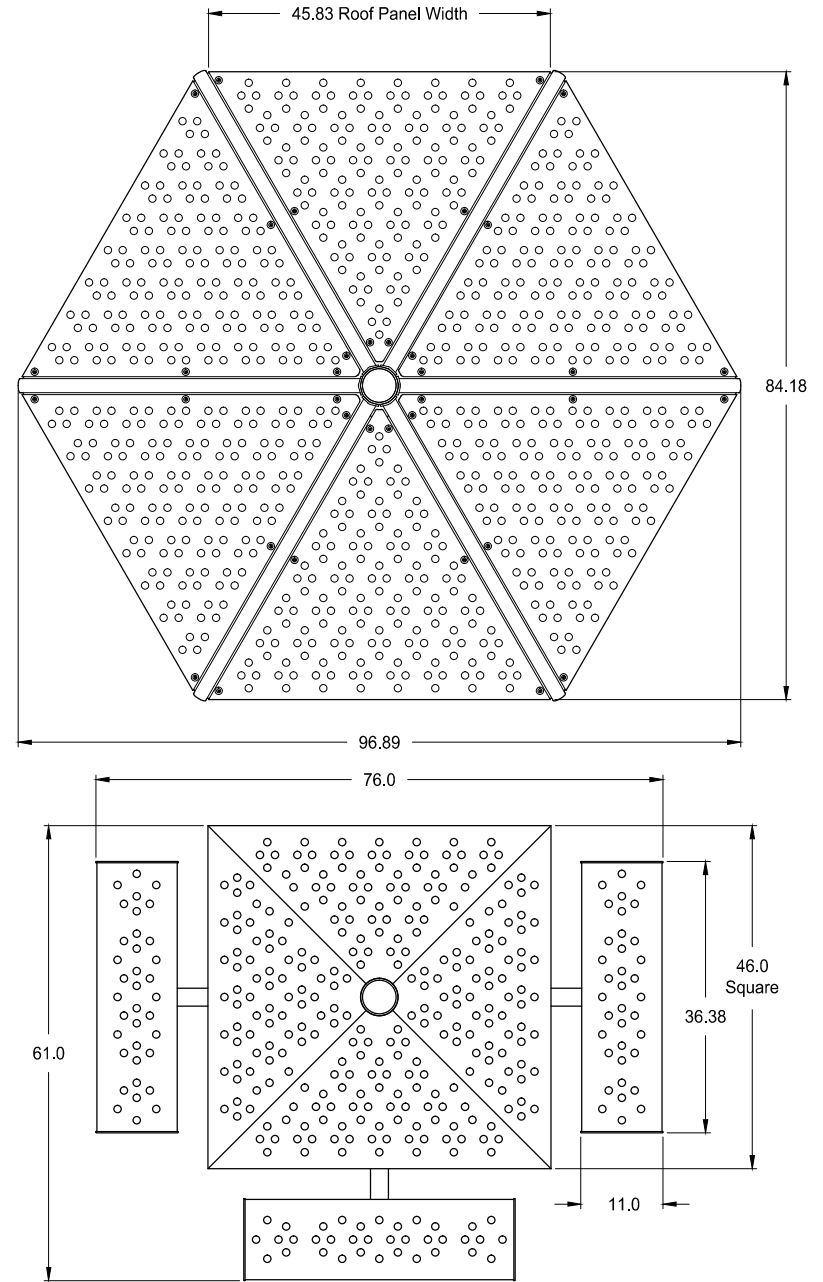
Finish:

Polyester Powder Top Coat over Zinc Rich Primed Substrate.
 (PVC Coating Available for Seats & Table Top)

Assembly Hardware: Stainless Steel

Anchoring Notes: This unit is designed to be installed on reinforced, fully cured concrete that is at least 6" thick. An acceptable alternative would be to pour separate reinforced piers for the centre post and each seat post. The centre pier would need to be approx. 30" dia. x 48" deep. The post mounting plate requires 8 expanding wedge anchor bolts (or similar) measuring at least 1/2" x 5" long. 2 similar anchor bolts per seat are required measuring at least 3/8" x 3" long. Anchoring Hardware is Not Included.

Knill Fabrication Ltd. maintains a policy of continuous product improvement. As a result, some details may change without notice.



knill
 Fabrication Ltd.
 519-442-2424