

# knill

Fabrication Ltd.  
519-442-2424

## Single Pedestal Table, Surface Mount

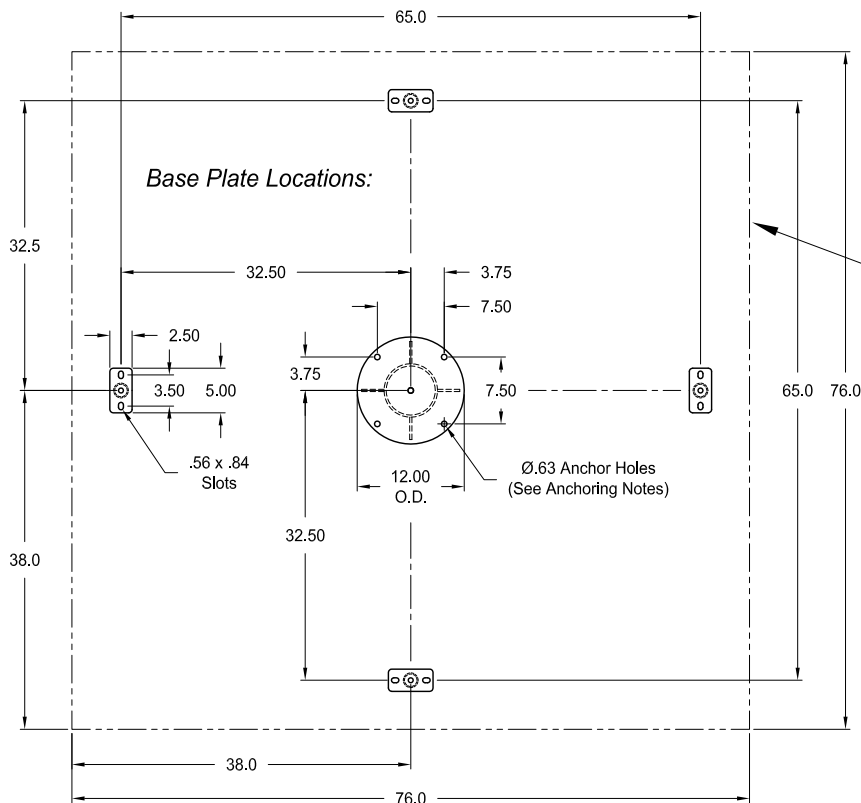
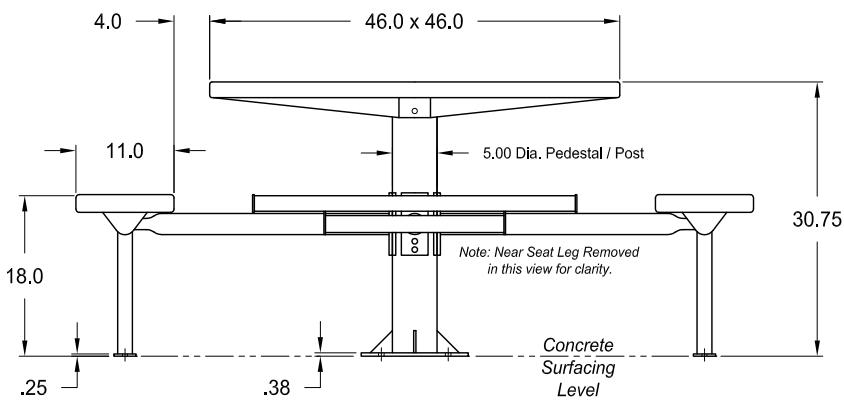
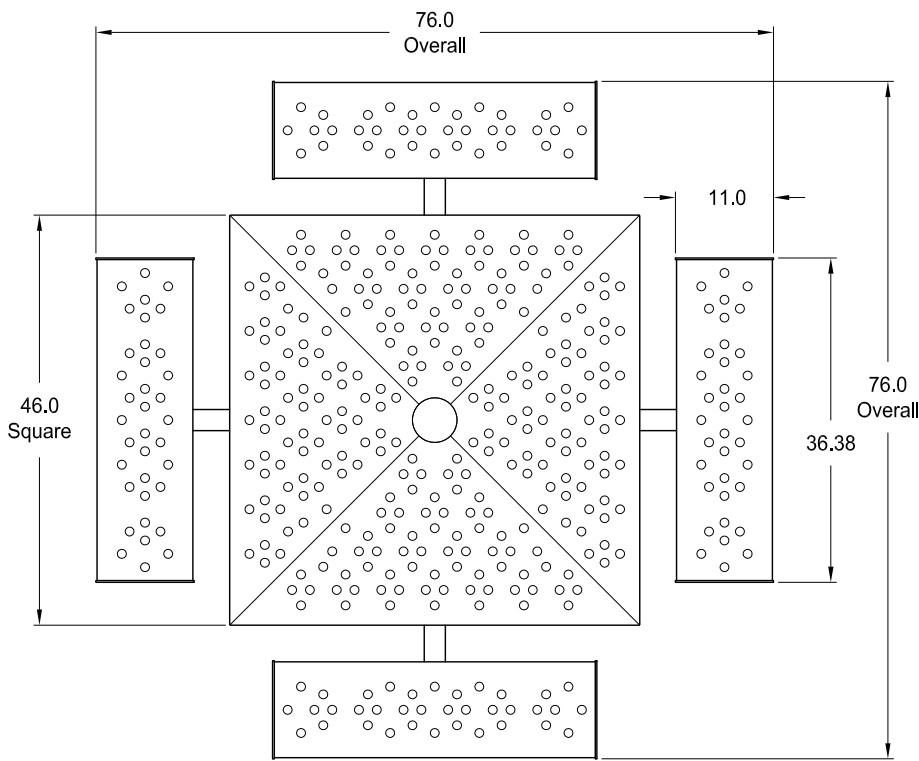
### General Specifications

Rev. 28Sep17

Model: **PT-4S-PC-SM**

(Powder Coated Seats & Table Top)

Also Available: Accessible Version with 3 Seats



#### Materials:

- 5" O.D. x .258" Wall Steel Pedestal
- 2.38" O.D. x .188" Wall Steel Tube
- 1.90" O.D. x .125" Wall Steel Tube
- 1.66" O.D. x .125" Wall Steel Tube
- 14 Ga. Sheet Metal (Seats & Table Top)
- 11 Ga. & 7 Ga. Steel Ribs/Brackets
- 1/4" Steel Plate
- 3/8" Steel Plate

Dimensions shown are in inches.

#### Finish:

Polyester Powder Top Coat over Zinc Rich Primed Substrate.

Assembly Hardware: Stainless Steel

**Anchoring Notes:** This unit is designed to be installed on fully cured concrete that is at least 4" thick. The post mounting plate requires 4 expanding wedge anchor bolts (or similar) measuring at least 1/2" x 4" long. 2 similar anchor bolts per seat are required measuring at least 3/8" x 3" long. Anchoring Hardware is Not Included.

Knill Fabrication Ltd. maintains a policy of continuous product improvement. As a result, some details may change without notice.

Suggested Concrete  
Pad Size: 76" x 76" Min.