

# Removable and Locking Bollard

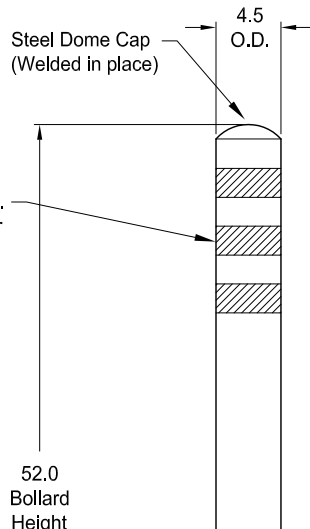
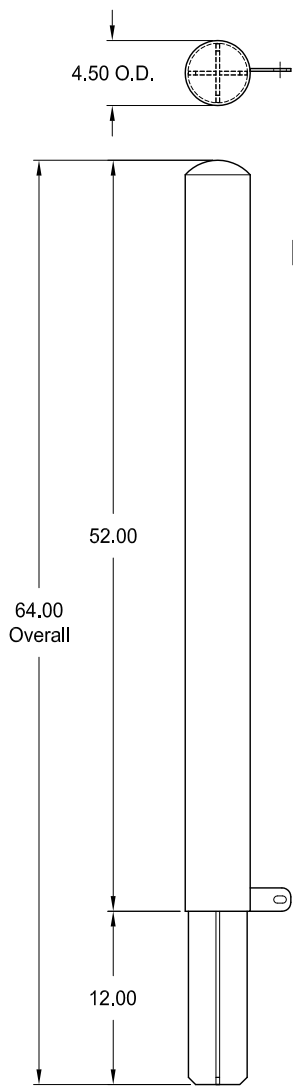
4.5" Dia. x 52" Tall, Featuring Receiver Base with Automatic Pop-Up Locking Tab

Model: 950070

- Specifications -

Rev.: 16Sep14

Removable Bollard  
 with Locking Tab



**Materials:**

- 4.5" O.D. x .188" Wall HSS Tube
- 1/4" & 3/16" Thick Steel Plate Misc. Components
- 3/16" Thick Stainless Steel (Receiver Cover Plate)
- 1/4" Thick Stainless Steel (Pop-Up Locking Tab)
- 3/8-16 Stainless Steel Security Screws (Qty: 2)

**Finish:**

Polyester Powder Paint over Zinc Rich Primer.

**Notes:**

Dimensions shown are in inches.  
 Knill Fabrication Ltd. maintains a policy of continuous product improvement. As a result, some details may change without notice.

Receiver Base for  
 Removable Bollard  
 with Automatic Pop-Up  
 Locking Tab

