

Heavy Duty 6' Picnic Table

With 2" x 10" x 72" Pressure Treated Wood Planks

Model: 650615-SLP

(St. Lawrence Parks Commission Version)



519-442-2424

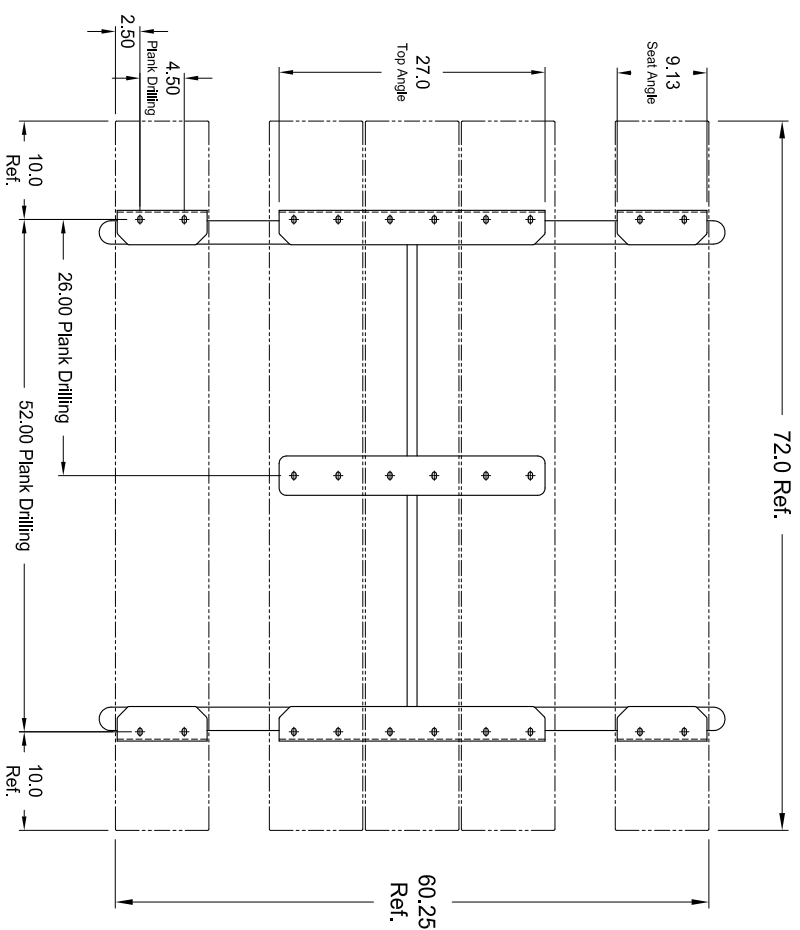
- Specifications and Assembly Instructions -

Rev.: 15Oct19

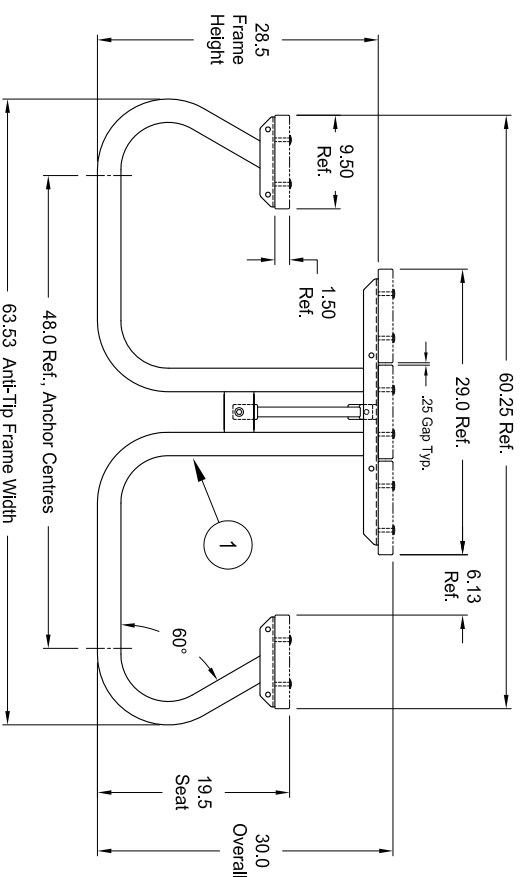
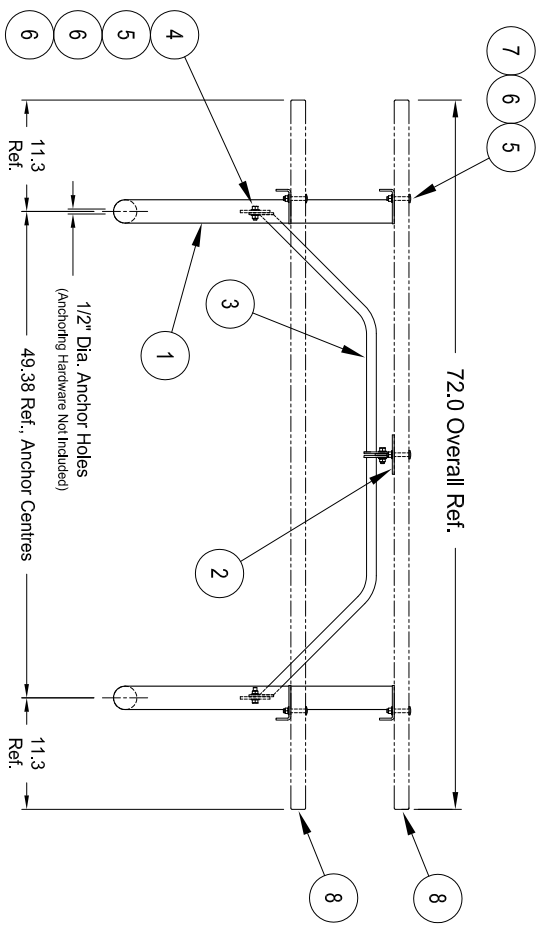
Materials:
2.375" O.D. x 1/8" Min. Wall Steel Tube (Frame/Leg Section)
1" x 1" x .125" Wall Square Steel Tube (Diagonal Braces)
3/16" x 1.5" x 3.5" Steel Plate (Top & Seat Angle Plates)
3/8-16 Stainless Steel Hardware
2x10 Nominal x 72" ACQ Pressure Treated Wood

Finish:
Hot Dip Galvanized Steel Frames

Notes:
Dimensions shown are in inches.
Knill Fabrication Ltd. maintains a policy of continuous product improvement.
As a result, some details may change without notice.



ITEM	DESCRIPTION	PART NUMBER	QTY
8	2x10 (Nominal) x 72" ACQ Pressure Treated Wood (Predrilled)	-	5
7	3/8-16 x 2.25" Carriage Bolt, Galvanized	-	26
6	3/8 Flat Washer, Stainless Steel	-	32
5	3/8-16 Hex Nut, Stainless Steel	-	29
4	3/8-16 x 1.25" Hex Bolt, Stainless Steel	-	3
3	Diagonal Brace, 1" x 1" x 1/8" Wall Square Steel Tube	-	2
2	Centre Plate, 3/16" x 4" x 27" Long Steel Plate	-	1
1	Frame/Leg Section, Welded, 2 3/8" O.D., Shed 40 Steel Tube	-	2



Special Features:

The Anti-Tip frame design shall resist tipping when loaded from ONE side only with 1000 pounds:
Anchoring the table to a concrete surface shall further enhance this feature.
The uniquely designed diagonal braces are specially shaped to improve knee clearance under the table.
The tubular frame design combines excellent ergonomics with unmatched strength.

Warranty:

5-Year Limited Warranty against structural failure of all steel frames or cast aluminum components.
1-Year Limited Warranty on workmanship and/or manufacturing defects.
The above mentioned warranties do not include any cosmetic issues (e.g. scratches, dents, marring, fading of colours and discoloration of wood due to weathering,) or damage resulting from vandalism, misuse, incorrect installation/assembly or lack of maintenance and are valid only if the products are installed/assembled in conformity with the installation/assembly instructions furnished by Knill Fabrication Ltd.