

# Single Pedestal Accessible Table with 3 Seats

## Featuring Wood or Recycled Plastic Planks

Inground Model: 650570

Surface Mount Model: 650580

(Accessible Version Also Available with 2 Seats)

### - Specifications -

Rev.: 23Jun22

#### Materials:

- 2" x 10" (Nom.) Recycled Plastic or Wood (Planks)
- 4" x 4" x .125" Wall Steel Tube (Pedestal)
- 2" x 4" x .125" Wall Steel Tube (Table Top Support)
- 2.375" O.D. x .19" Wall Steel Tube (Seat Arms)
- 1.90" O.D. x .125" Wall Steel Tube (Seat Supports)
- 1/4" Thick Steel Plate (Pedestal Base and Gussets)
- 3/16" Thick Steel Plate (Plank Mounting Brackets)
- 5/16-18 x 2.25" Stainless Steel Carriage Bolts, Qty: 32 (for Planks)
- 5/16-18 Stainless Steel Hex Nuts, Qty: 32 (for Planks)
- 5/16" Stainless Steel Flat Washers, Qty: 32 (for Planks)
- 3/8-16 x 1.5" Stainless Steel Bolts, Qty: 4 (Table Support Mounting)
- 3/8-16 Stainless Steel Nyloc Nuts, Qty: 4 (Table Support Mounting)
- 3/8" Stainless Steel Flat Washers, Qty: 8 (Table Support Mounting)
- 1/2-13 x 5.5" Stainless Steel Hex Bolts, Qty: 4 (Seat Arm Mounting)
- 1/2-13 Stainless Steel Hex Nuts, Qty: 4 (Seat Arm Mounting)
- 1/2" Stainless Steel Flat Washers, Qty: 8 (Seat Arm Mounting)

#### Finish:

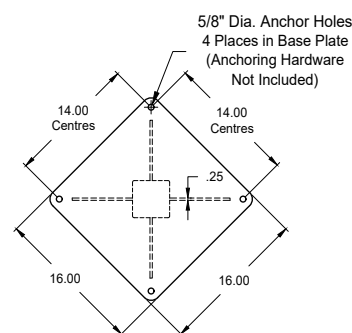
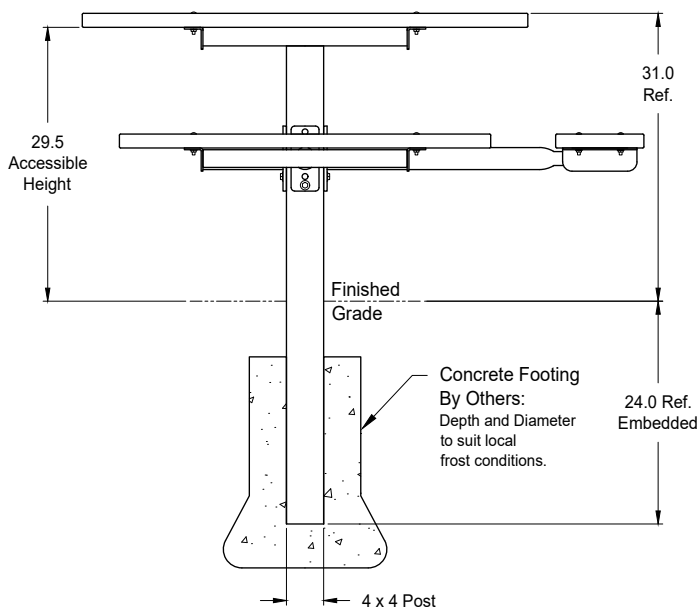
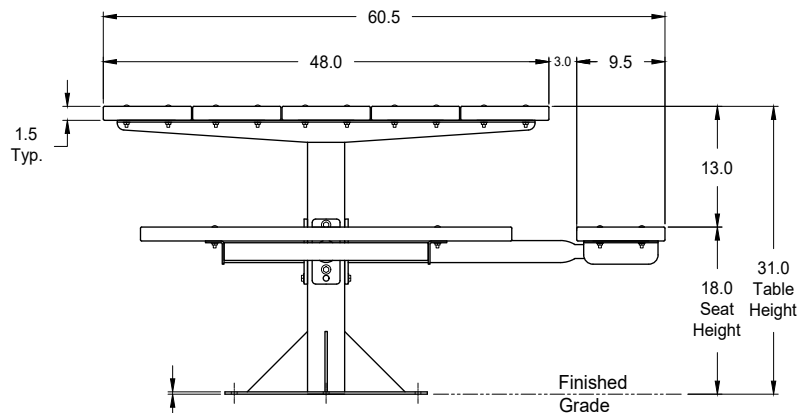
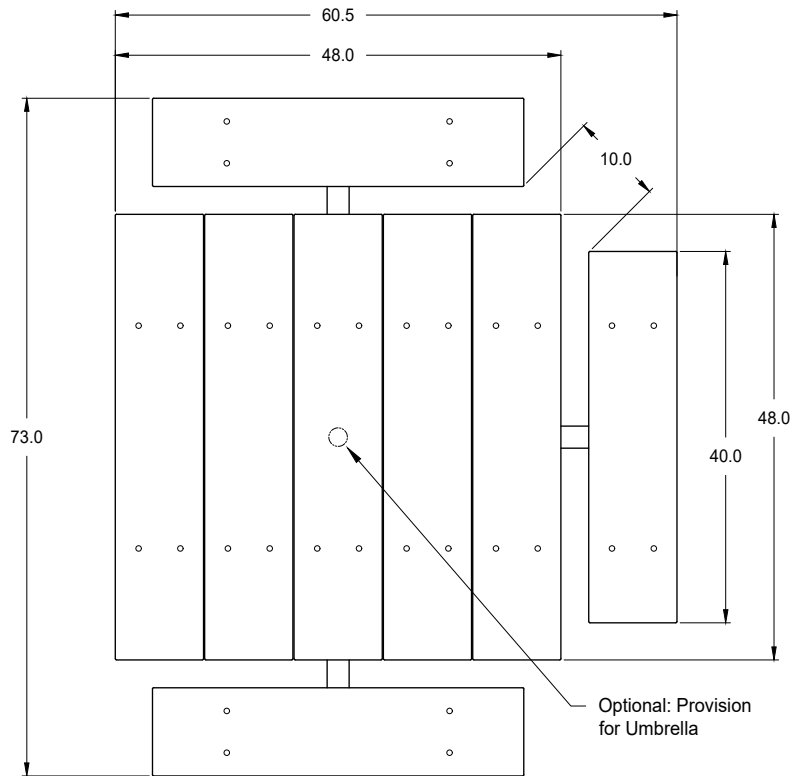
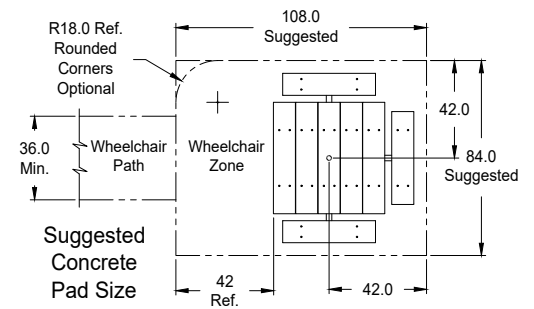
- 1) Polyester Powder Paint over Zinc Rich Primer
- 2) Hot Dip Galvanized

#### Notes:

Dimensions shown are in inches.

Knill Fabrication Ltd. maintains a policy of continuous product improvement.

As a result, some details may change without notice.



**knill**  
Fabrication Ltd.  
519-442-2424

Inground Model: 650570

Surface Mount Model: 650580