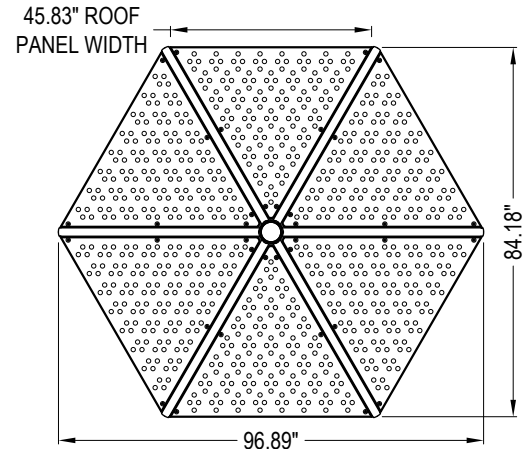
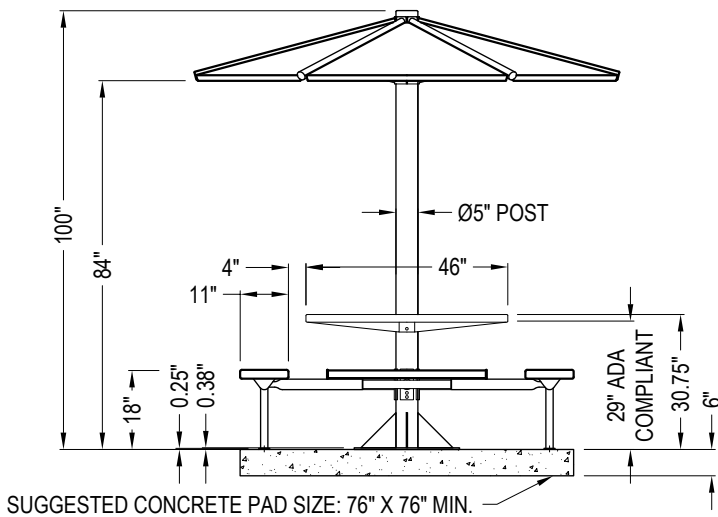


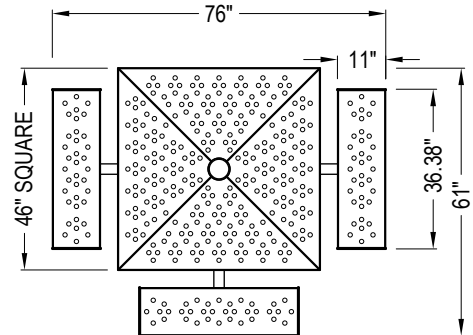
INSTALLATION PLAN



PLAN
(UMBRELLA CANOPY)



ELEVATION



PLAN
(SHADE TABLE)

SPECIFICATIONS

FINISH: POLYESTER POWDER TOP COAT OVER ZINC RICH PRIMED SUBSTRATE

MATERIAL (WALL STEEL TUBE): 2.38" O.D. X 0.188", 1.90" O.D. X 0.125", 1.32" O.D. X 0.100"

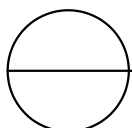
MATERIAL (STEEL PLATE): 1/4", 3/8"

OTHER MATERIALS: (STEEL POST) 5" O.D. X 0.258" WALL, (PERFORATED PANELS, SEATS & TOP) 14 GA SHEET METAL, (STEEL RIBS & BRACKETS) 11GA & 7GA, (ASSEMBLY HARDWARE) STAINLESS STEEL

- ANCHORING HARDWARE NOT INCLUDED.

NOTES:

1. INSTALLATION TO BE COMPLETED IN ACCORDANCE WITH MANUFACTURER'S SPECIFICATIONS.
2. DO NOT SCALE DRAWING.
3. THIS DRAWING IS INTENDED FOR USE BY ARCHITECTS, ENGINEERS, CONTRACTORS, CONSULTANTS AND DESIGN PROFESSIONALS FOR PLANNING PURPOSES ONLY. THIS DRAWING MAY NOT BE USED FOR CONSTRUCTION.
4. ALL INFORMATION CONTAINED HEREIN WAS CURRENT AT THE TIME OF DEVELOPMENT BUT MUST BE REVIEWED AND APPROVED BY THE PRODUCT MANUFACTURER TO BE CONSIDERED ACCURATE.
5. CONTRACTOR'S NOTE: FOR PRODUCT AND COMPANY INFORMATION VISIT www.CADdetails.com/info AND ENTER REFERENCE NUMBER 5436-055.



SHADE TABLES

(ST-3S-PC-SM) SINGLE POST SHADE TABLE, FLAT PANEL CANOPY, 3-SEATS/ACCESSIBLE, SURFACE MOUNT