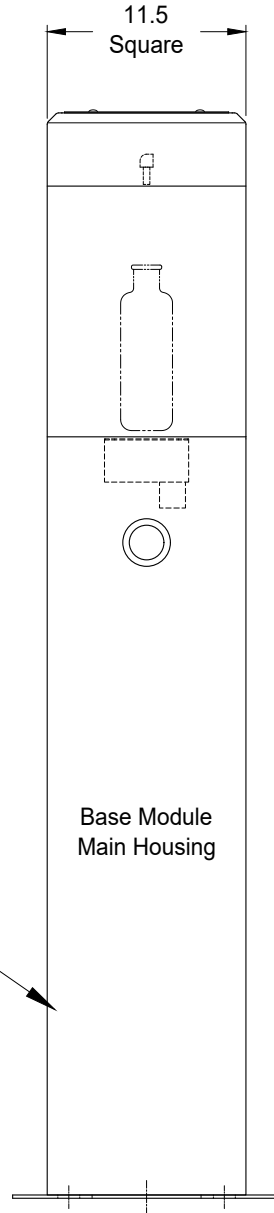
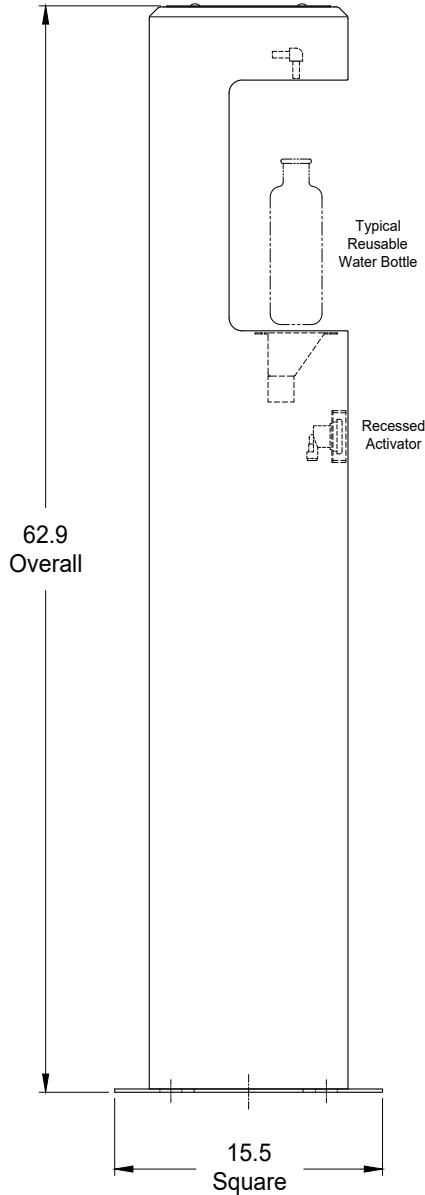
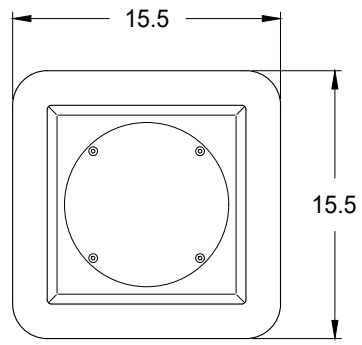


# Knill Bottle Filling Station Model Number: 350030 (The Fraser)

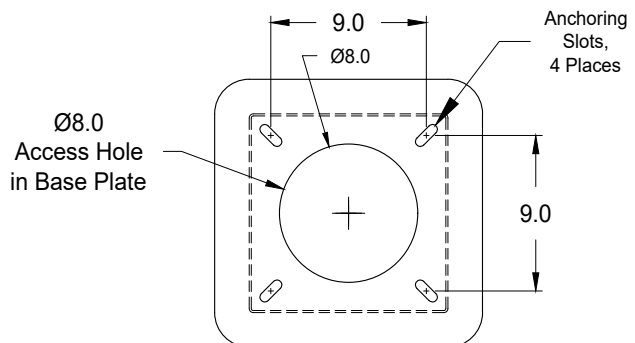
## - General Specifications -

Dimensions shown are in inches.

Rev.: 10Mar22



Featuring Rugged  
11 Ga. Stainless Steel  
Housing and Basin  
Construction,  
with Polyester  
Powder Top Coat.



**knill**  
Fabrication Ltd.  
519-442-2424

# Knill Bottle Filling Station

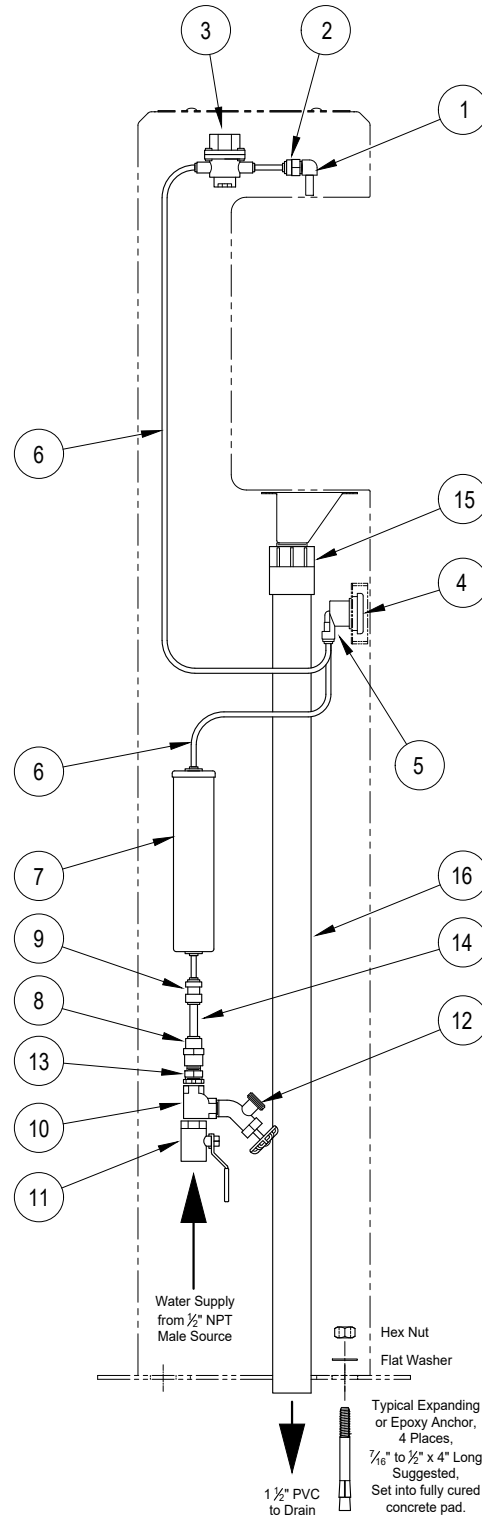
**Model Number: 350030**

**- Supply and Drain Connections -**

Rev.: 10Mar22

Item Number	Part Number	Supply Component Description	Qty
1	125HB-3-4	Brass Nozzle Assembly	1
2	P10103235	Plastic Connector, 3/8" NPT to 1/4" Tube	1
3	SZ070030063979RK-1	Flow Regulator, 1/4" Tube Quick Fit	1
4	98682C	Elkay Large Diameter Push Button	1
5	98530C	Elkay Regulator, 1/4" Tube Quick Fit	1
6	E-43-0100	Polyethylene Tubing, 1/4" O.D. x .040" Wall, FDA Compliant, Conforms to ASTM D-1693 & D-1248, Type 1, Class A, Category 4, Grade E5, NSF-51, NSF-61	49"
7	K2533JJ	Water Filter with 1/4" Tube Quick Fit Connections	1
8	A6FC6-MG	Plastic Connector, 3/8" Tube to 3/8" Pipe Thread	1
9	AUC0604	Plastic Connector, 3/8" Tube to 1/4" Tube	1
10	2225P-8	Brass T-Connector, 1/2" Female NPT	1
11	000362160	Ball Valve Shut-Off, 1/2" Female NPT	1
12	SF-1/2	Brass Hose Bib/Valve, 1/2" Male NPT	1
13	216P-8-6	Brass Reducer (Removable A/R) 1/2" Male Pipe to 3/8" Female Pipe	1
14	E-64-0100	Polyethylene Tubing, 3/8" O.D. x .062" Wall, FDA Compliant, Conforms to ASTM D-1693 & D-1248, Type 1, Class A, Category 4, Grade E5, NSF-51, NSF-61	2"

Item Number	Part Number	Drain Component Description	Qty
15	435-015	Spears PVC Coupler, 1 1/2" Female Thread to 1 1/2" Slip Fit, ASTM D2466	1
16	N/A	PVC Pipe, 1 1/2" (40mm), ASTM D2241	A/R



Note: Knill Fabrication Ltd. maintains a policy of continuous product improvement. As a result, some details may change without notice.

**knill**  
**Fabrication Ltd.**  
**519-442-2424**

