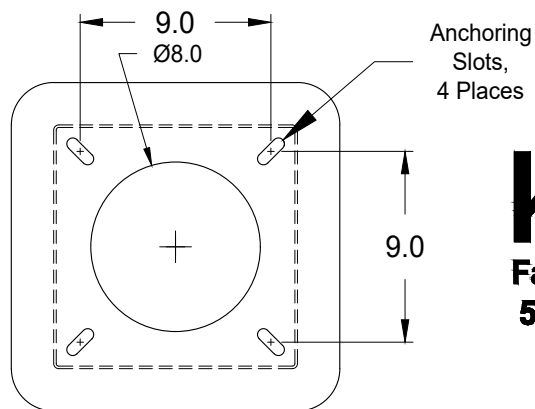


Knill Drinking Fountain
Dual Basin: Standard & Accessible
Model Number: 350010
(The Grand)

- General Specifications -

Dimensions shown are in inches.
 Rev.: 04Mar22

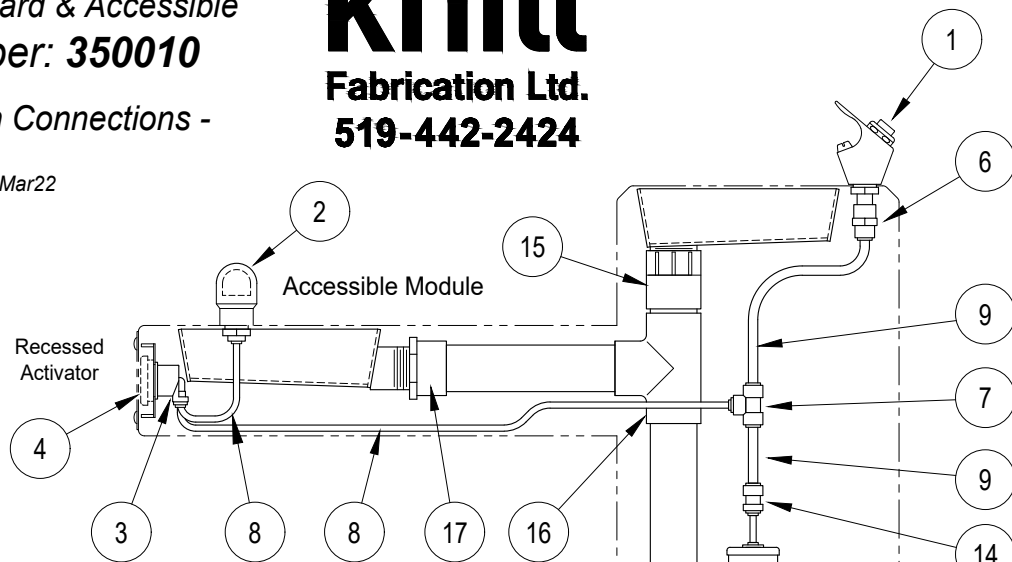


knill
 Fabrication Ltd.
 519-442-2424

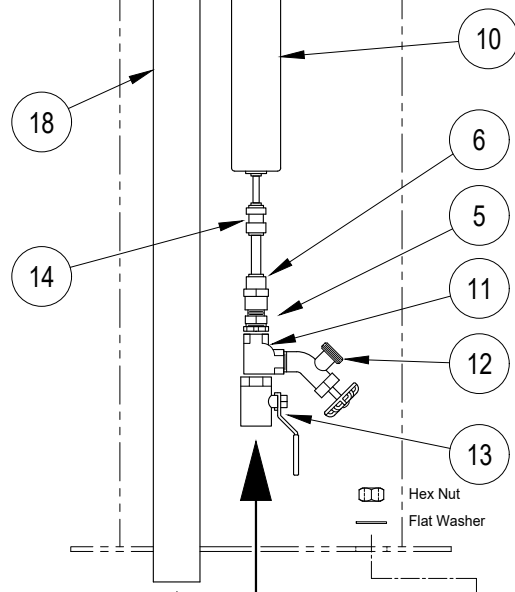
Knill Drinking Fountain
 Dual Basin: Standard & Accessible
 Model Number: 350010
 - Supply & Drain Connections -

knill
 Fabrication Ltd.
 519-442-2424

Rev.: 04Mar22

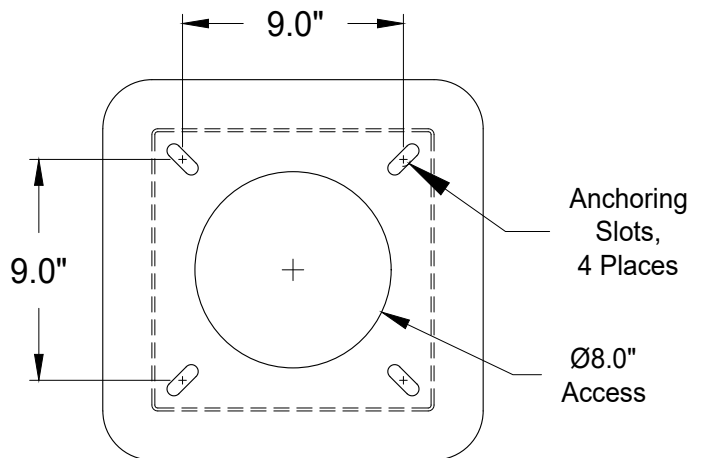


Item Number	Part Number	Supply Component Description	Qty
1	LK142	Elkay Push Button Bubbler, Conforms to CSA B125.1	1
2	98481C	Elkay Vandal-Resistant Bubbler, 1/4" Press Fit	1
3	98530C	Elkay Regulator, 1/4" Press Fit	1
4	98682C	Elkay Large Diameter Push Button	1
5	216P-8-6	Brass Reducer (Removable A/R) 1/2" Male Pipe to 3/8" Female Pipe	1
6	A6FC6-MG	Plastic Connector, 3/8" Tube to 3/8" Pipe Thread	2
7	A6TU4-MG	Plastic Tee Connector, 3/8" Tube to 1/4" Tube	1
8	E-43-0100	Polyethylene Tubing, 1/4" O.D. x .040" Wall, FDA Compliant, Conforms to ASTM D-1693 & D-1248, Type 1, Class A, Category 4, Grade E5, NSF-51, NSF-61	A/R
9	E-64-0100	Polyethylene Tubing, 3/8" O.D. x .062" Wall, FDA Compliant, Conforms to ASTM D-1693 & D-1248, Type 1, Class A, Category 4, Grade E5, NSF-51, NSF-61	A/R
10	K2533JJ	Water Filter with 1/4" Tube Quick Fit Connections	1
11	2225P-8	Brass T-Connector, 1/2" Female NPT	1
12	SF-1/2	Brass Hose Bib/Valve, 1/2" Male NPT	1
13	000362160	Ball Valve Shut-Off, 1/2" Female NPT	1
14	AUC0604	Plastic Connector, 3/8" Tube to 1/4" Tube	2



Typical Expanding or Epoxy Anchor, 4 Places, 7/16" to 1/2" x 4" Long Suggested, Set into fully cured concrete pad.

Item Number	Part Number	Drain Component Description	Qty
15	435-015	Spears PVC Coupler, 1 1/2" Female Thread to 1 1/2" Slip Fit, ASTM D2466	1
16	401-015	Spears PVC Coupler, T-Fitting, Slip Fit, ASTM D2466	1
17	436-015	Spears PVC Coupler, Male Adaptor, 1 1/2" Male Thread to 1 1/2" Slip Fit	1
18	N/A	PVC Pipe, 1 1/2" (40mm), ASTM D2241	A/R



Note: Knill Fabrication Ltd. maintains a policy of continuous product improvement. As a result, some details may change without notice.