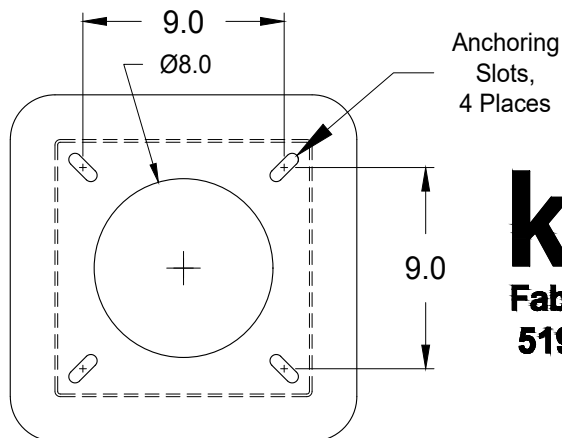


Knill Drinking Fountain
Standard with Single Basin
Model Number: 350000
(The Mackenzie)
 - General Specifications -

Dimensions shown are in inches.
 Rev.: 04Mar22



knill
Fabrication Ltd.
519-442-2424

knill

Fabrication Ltd.
519-442-2424

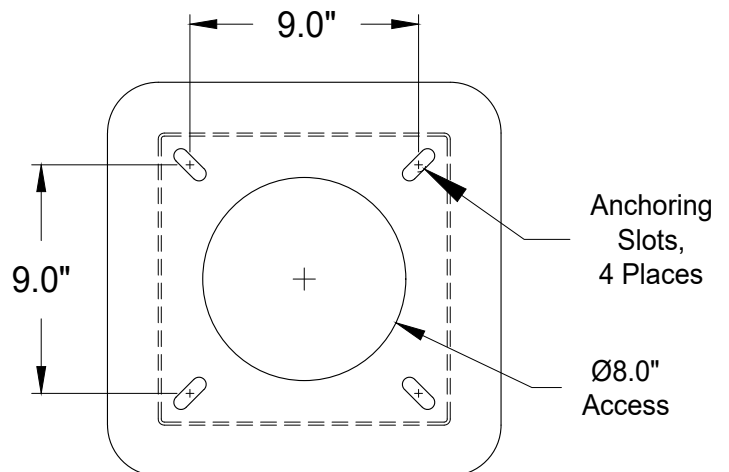
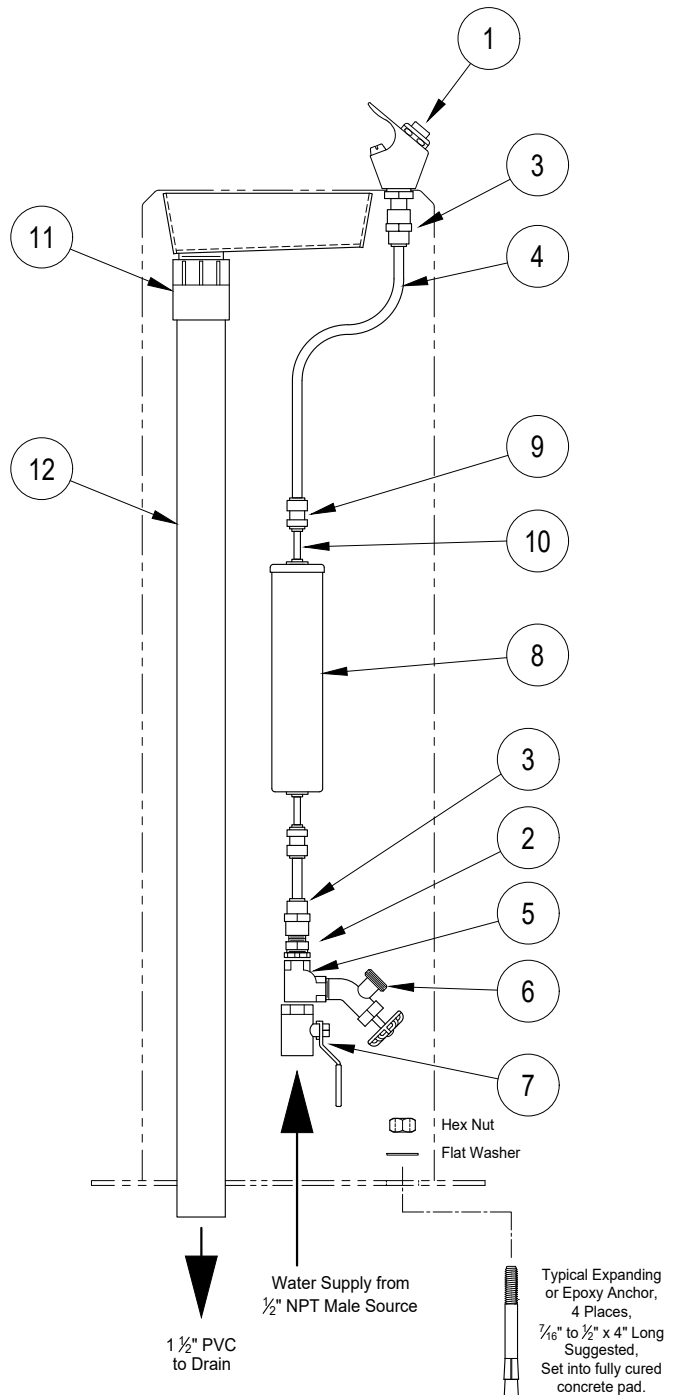
Knill Drinking Fountain Standard with Single Basin Model Number: **350000**

- Supply & Drain Connections -

Rev.: 04Mar22

Item Number	Part Number	Supply Component Description	Qty
1	LK142	Elkay Push Button Bubbler, Conforms to CSA B125.1	1
2	216P-8-6	Brass Reducer (Removable A/R) 1/2" Male Pipe to 3/8" Female Pipe	1
3	A6FC6-MG	Plastic Connector, 3/8" Tube to 3/8" Pipe Thread	2
4	E-64-0100	Polyethylene Tubing, 3/8" O.D. x .062" Wall, FDA Compliant, Conforms to ASTM D-1693 & D-1248, Type 1, Class A, Category 4, Grade E5, NSF-51, NSF-61	A/R
5	2225P-8	Brass T-Connector, 1/2" Female NPT	1
6	SF-1/2	Brass Hose Bib/Valve, 1/2" Male NPT	1
7	000362160	Ball Valve Shut-Off, 1/2" Female NPT	1
8	K2533JJ	Water Filter with 1/4" Tube Quick Fit Connections	1
9	AUC0604	Plastic Connector, 3/8" Tube to 1/4" Tube	2
10	E-43-0100	Polyethylene Tubing, 1/2" O.D. x .040" Wall, FDA Compliant, Conforms to ASTM D-1693 & D-1248, Type 1, Class A, Category 4, Grade E5, NSF-51, NSF-61	A/R

Item Number	Part Number	Drain Component Description	Qty
11	435-015	Spears PVC Coupler, 1 1/2" Female Thread to 1 1/2" Slip Fit, ASTM D2466	1
12	N/A	PVC Pipe, 1 1/2" (40mm), ASTM D2241	A/R



Note: Knill Fabrication Ltd. maintains a policy of continuous product improvement. As a result, some details may change without notice.