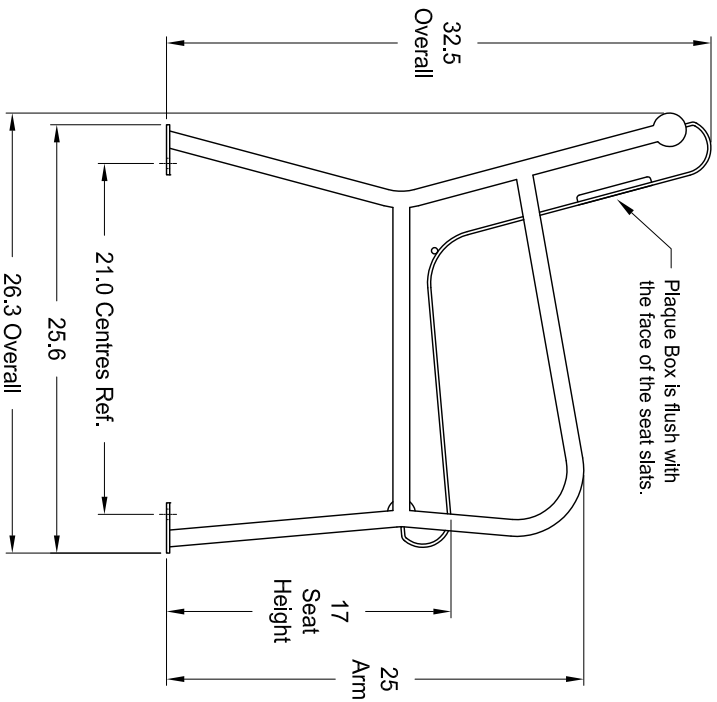
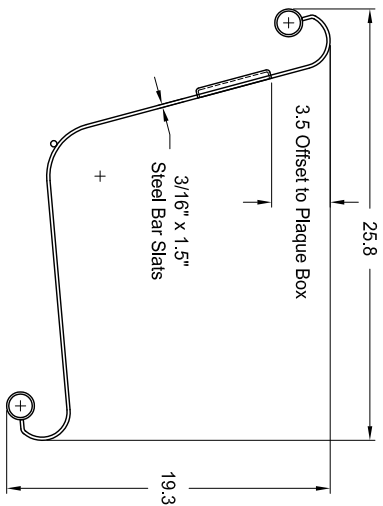


## Seat Section Profile Detail



- Materials:**
- 3/16" x 1.5" Steel Bar Slats
  - 3/8" Dia. Steel Rod
  - 1.66" O.D. x .125" Wall Horizontal Tubes
  - 1" x 1" x .125" Wall Square Steel Tube Leg Frames
  - 3/16" Thick Steel Foot Plates
  - 11 Ga. Steel Inset Plaque Box

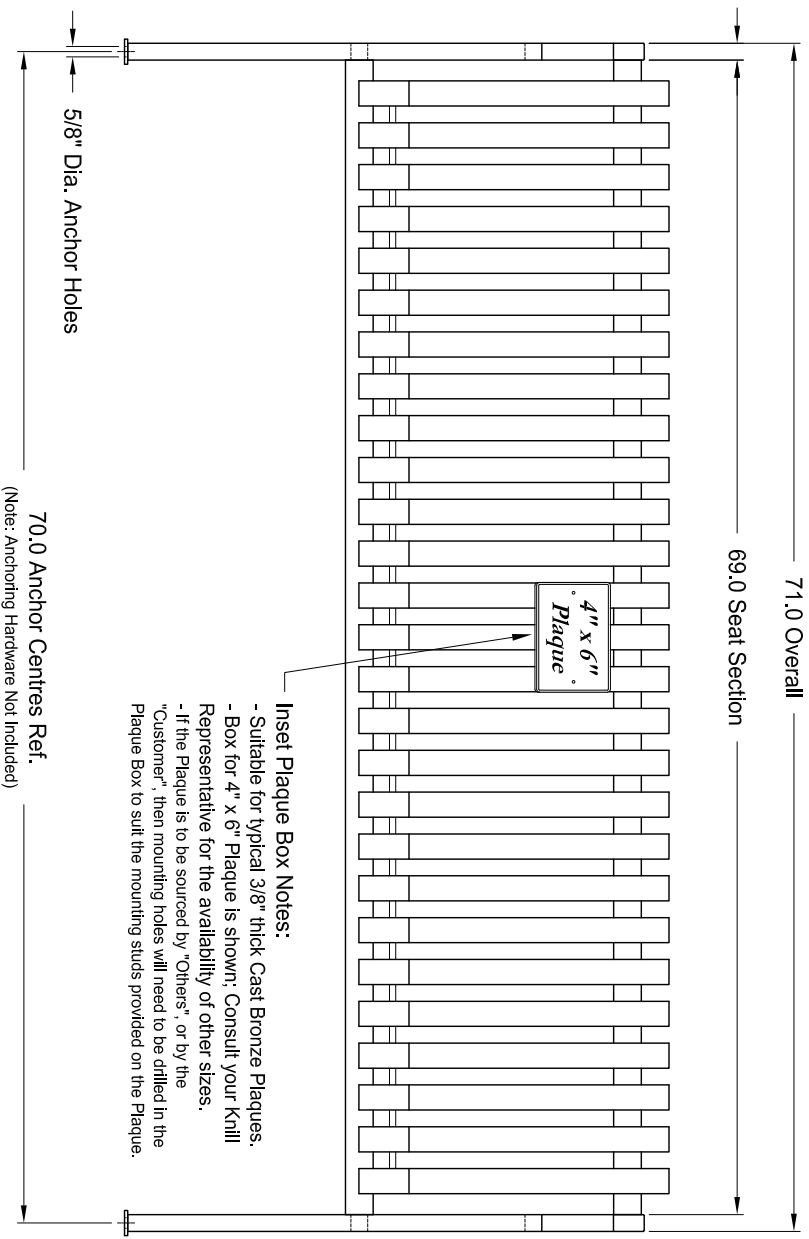
# 6' Memorial Bench

## Vertical Slat Style with Inset Plaque

### - Specifications -

Rev.: 17Jul14

Model: 222-6M



**Inset Plaque Box Notes:**

- Suitable for typical 3/8" thick Cast Bronze Plaques.
- Box for 4" x 6" Plaque is shown. Consult your Knill Representative for the availability of other sizes.
- If the Plaque is to be sourced by "Others" or by the "Customer", then mounting holes will need to be drilled in the Plaque Box to suit the mounting studs provided on the Plaque.

- Finish:**
- Polyester Powder Paint over Zinc Rich Primer.
- Notes:**
- Dimensions shown are in inches.
  - Matching 32 Gal. Litter Receptacle also available. Model: 223-32
  - Knill Fabrication Ltd. maintains a policy of continuous product improvement. As a result, some details may change without notice.