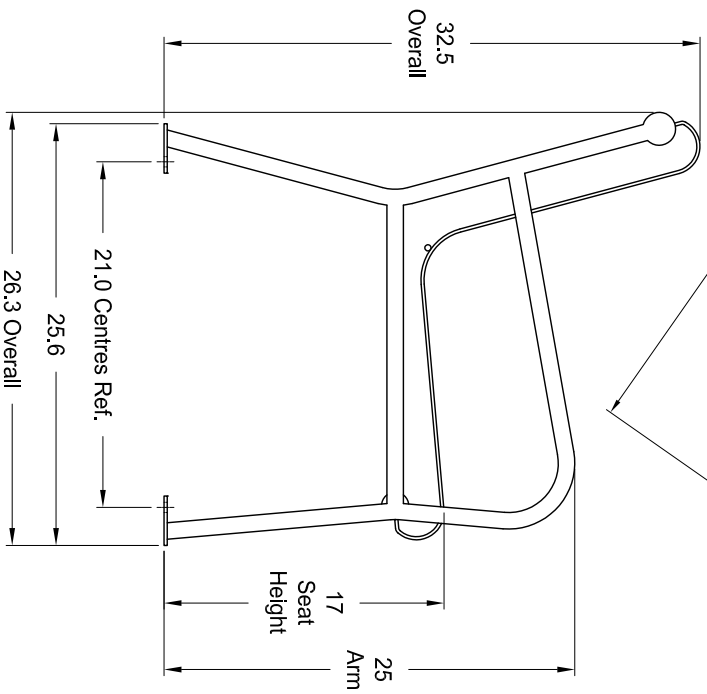
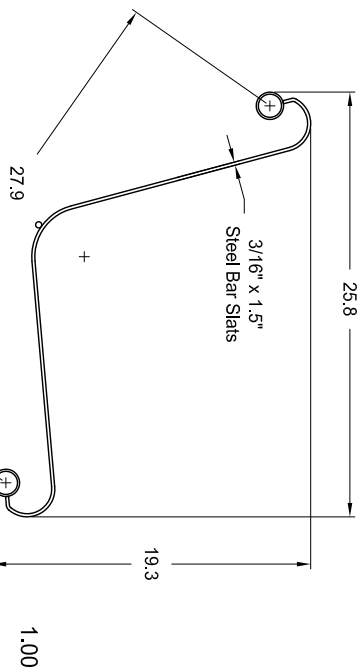


Seat Section Profile Detail

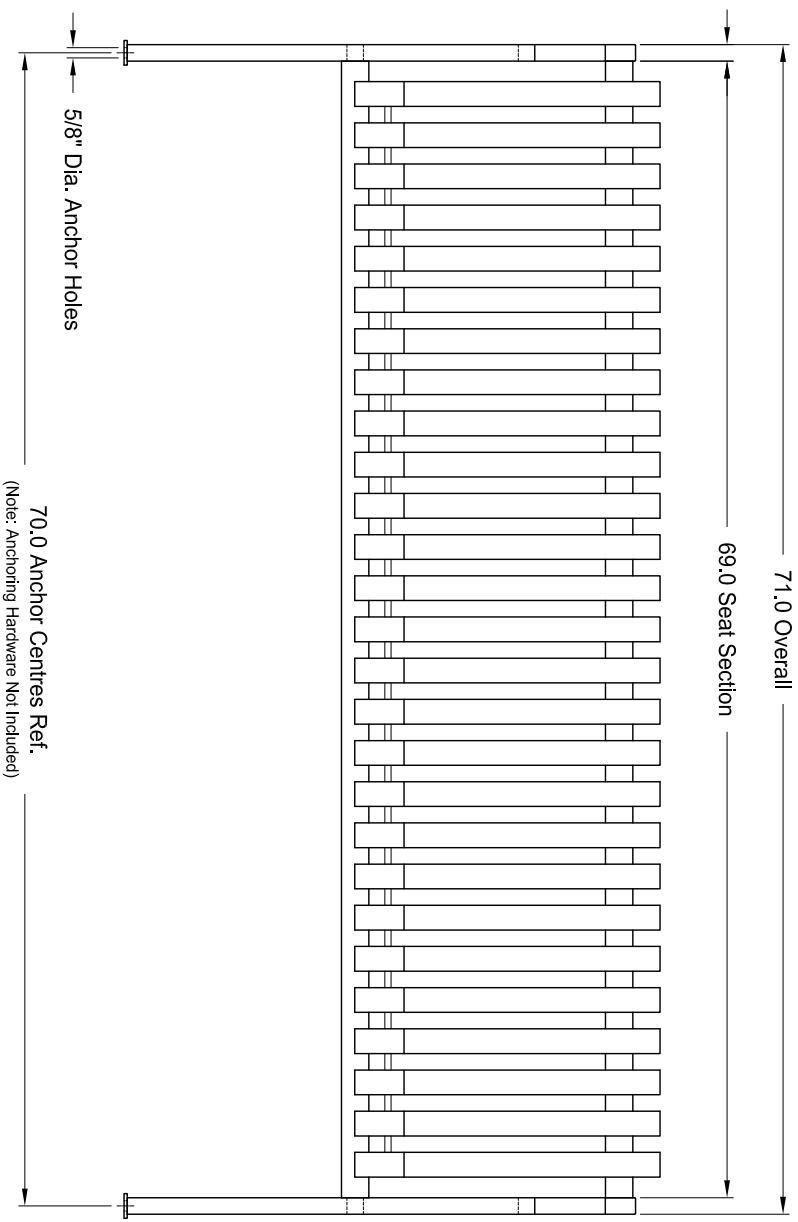


Vertical Slat Style 6' Bench with Back

- Specifications -

Rev.: 26Mar14

Model: 222-6 (P/N Ref.: 650030)



70.0 Anchor Centres Ref.
(Note: Anchoring Hardware Not Included)

Finish:

Polyester Powder Paint over Zinc Rich Primer.

Notes:

Dimensions shown are in inches.

Matching 32 Gal. Litter Receptacle also available. Model: 223-32

Knill Fabrication Ltd. maintains a policy of continuous product improvement.

As a result, some details may change without notice.

Materials:

3/16" x 1.5" Steel Bar Slats

3/8" Dia. Steel Rod

1.66" O.D. x .125" Wall Horizontal Tubes

1" x 1" x .125" Wall Square Steel Tube Leg Frames

3/16" Thick Steel Foot Plates

Complete Bench Weight: 131 lb / 59 kg

Knill
Fabrication Ltd.
519-442-2424