

# 6' Steel Bench with Custom Logo Panel

## - Specifications -

Rev.: 02Jul14

Model: 112-6-CL (Tim Hortons)

### Materials:

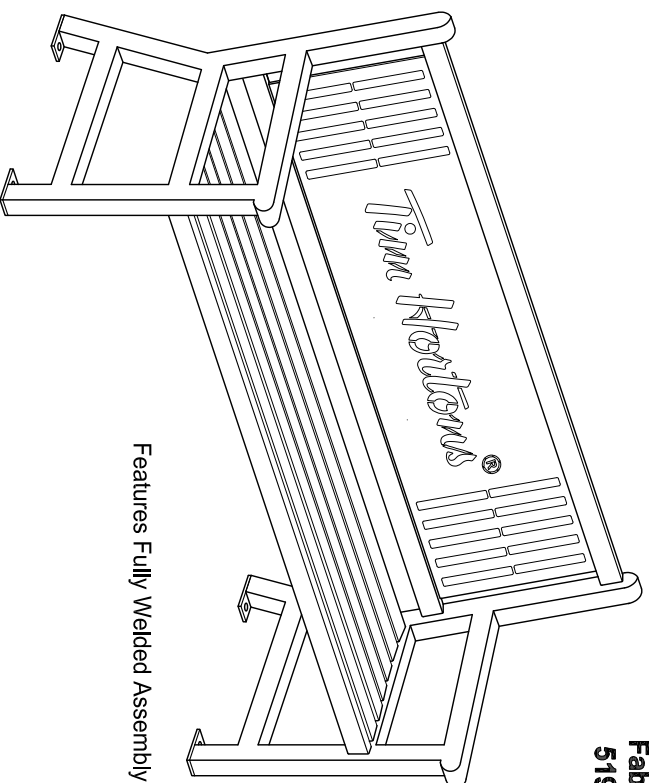
- 2" x 1" x .100" Wall Rectangular Steel (Seat and Brace Tubes)
- 2" x 2" x .100" Wall Square Steel (Leg Tubes)
- 11 Ga. Steel Sheet (Backrest Panel with Laser-Cut Logo)
- 1/4" x 2" Steel Bar (Foot Plates)
- 1/2" Dia. Steel Rod (Centre Seat Brace)

### Finish:

Polyester Powder Paint over Zinc Rich Primer.

### Notes:

Dimensions shown are in inches.  
Matching 32 Gal. Litter Receptacle also available, Model: 113-32  
Knill Fabrication Ltd. maintains a policy of continuous product improvement.  
As a result, some details may change without notice.



Features Fully Welded Assembly

