

# 6' Steel Bench with Custom Logo Panel

## - Specifications -

Rev.: 04Apr17

Model: 112-6-CL (Rotary International)

### Materials:

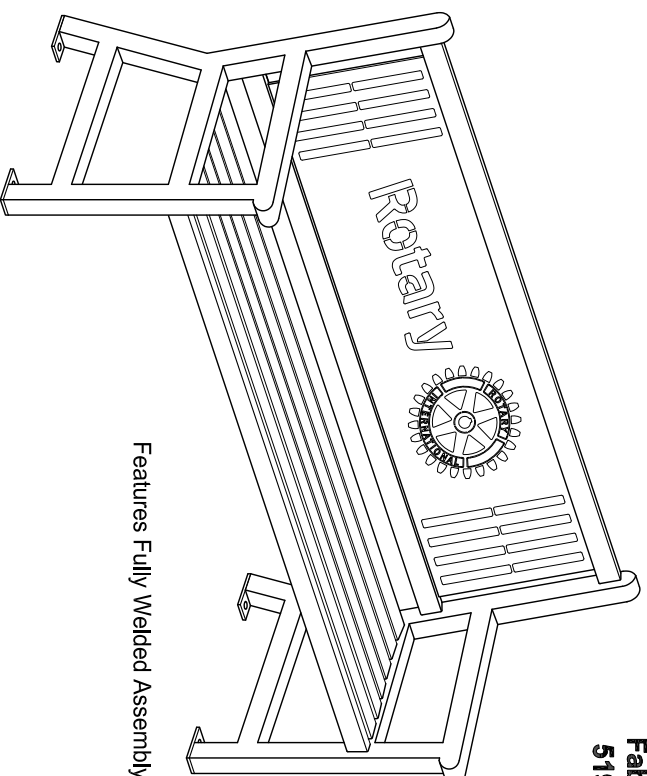
- 2" x 1" x .100" Wall Rectangular Steel (Seat and Brace Tubes)
- 2" x 2" x .100" Wall Square Steel (Leg Tubes)
- 11 Ga. Steel Sheet (Backrest Panel with Laser-Cut Logo)
- 1/4" x 2" Steel Bar (Foot Plates)
- 1/2" Dia. Steel Rod (Centre Seat Brace)

### Finish:

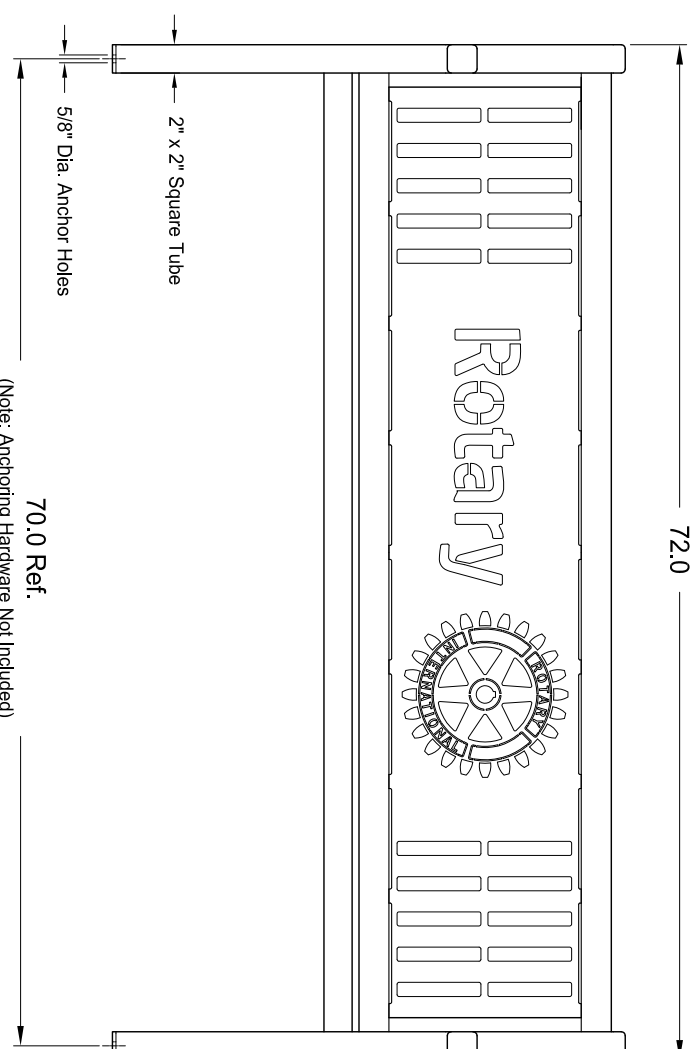
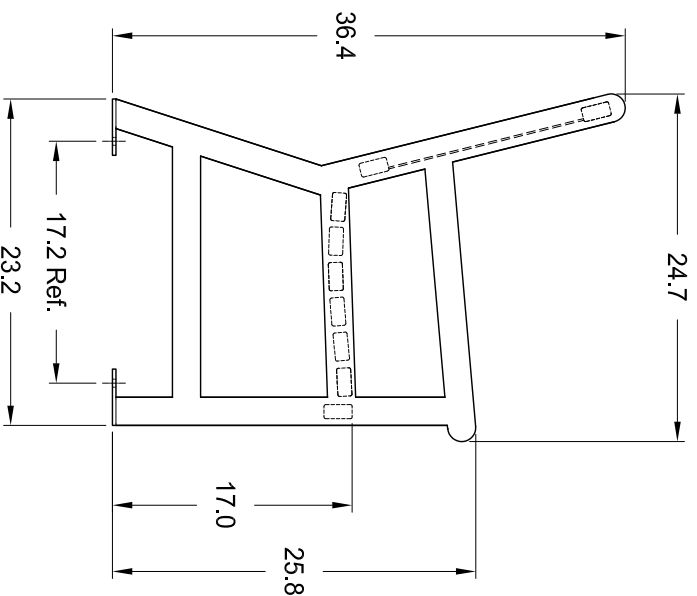
Polyester Powder Paint over Zinc Rich Primer.

### Notes:

Dimensions shown are in inches.  
 Matching 32 Gal. Litter Receptacle also available. Model: 113-32  
 Knill Fabrication Ltd. maintains a policy of continuous product improvement.  
 As a result, some details may change without notice.



Features Fully Welded Assembly



(Note: Anchoring Hardware Not Included)