

6' Steel Bench with Custom Logo Panel - Specifications -

Knill
Fabrication Ltd.

519-442-2424

Rev.: 11Apr17

Model: 112-6-CL (*Buddy Bench*)

Materials:

- 2" x 1" x .100" Wall Rectangular Steel (Seat and Brace Tubes)
- 2" x 2" x .100" Wall Square Steel (Leg Tubes)
- 11 Ga. Steel Sheet (Backrest Panel with Laser-Cut Logo)
- 1/4" x 2" Steel Bar (Foot Plates)
- 1/2" Dia. Steel Rod (Centre Seat Brace)

Finish:

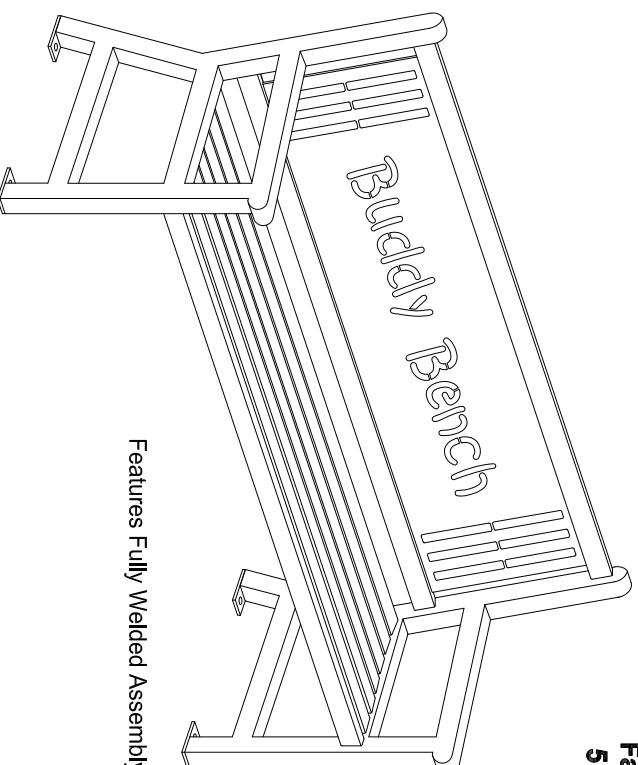
Polyester Powder Paint over Zinc Rich Primer.

Notes:

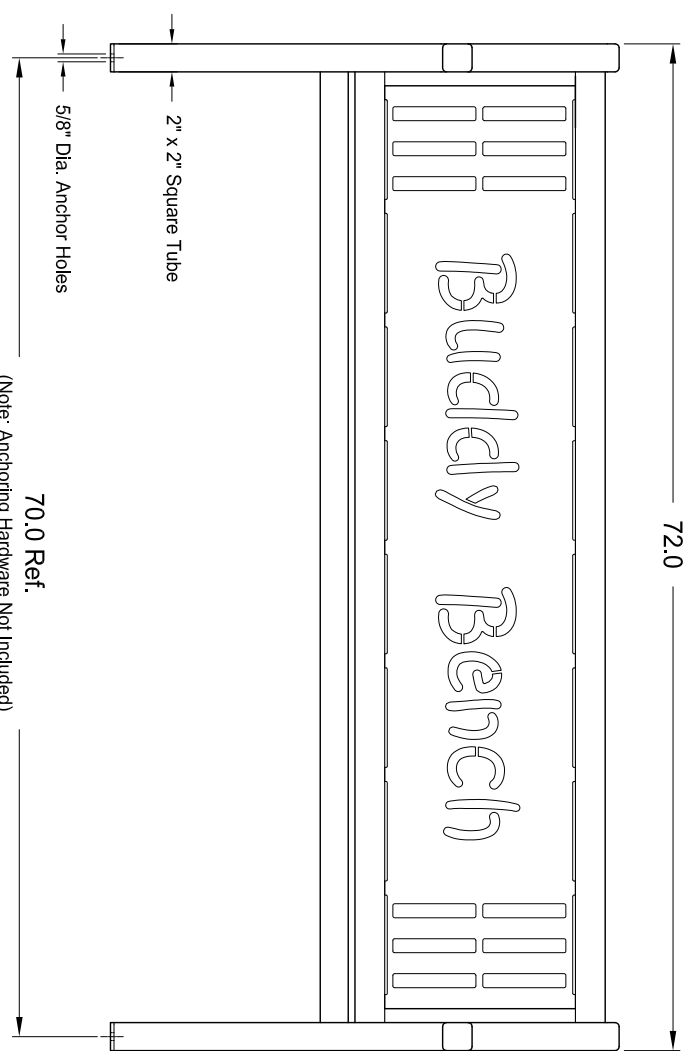
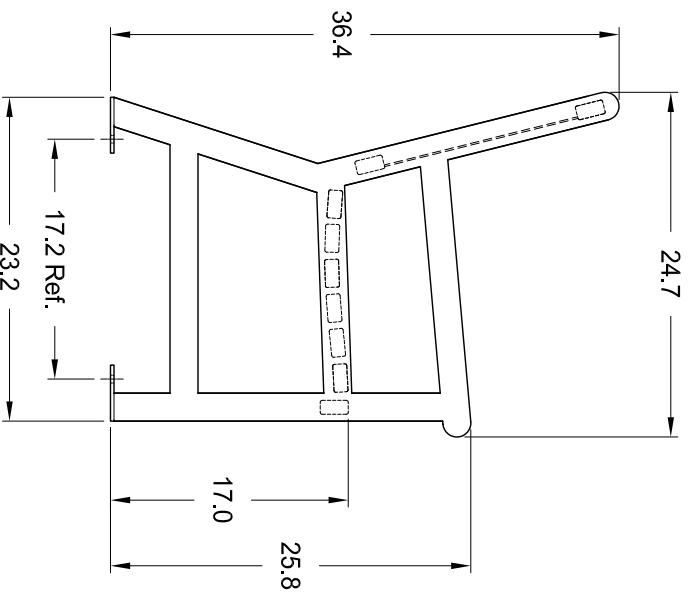
Dimensions shown are in inches.

Matching 32 Gal. Litter Receptacle also available, Model: 113-32

Knill Fabrication Ltd. maintains a policy of continuous product improvement. As a result, some details may change without notice.



Features Fully Welded Assembly



(Note: Anchoring Hardware Not Included)